

**Flat mounting (fig. 1)**

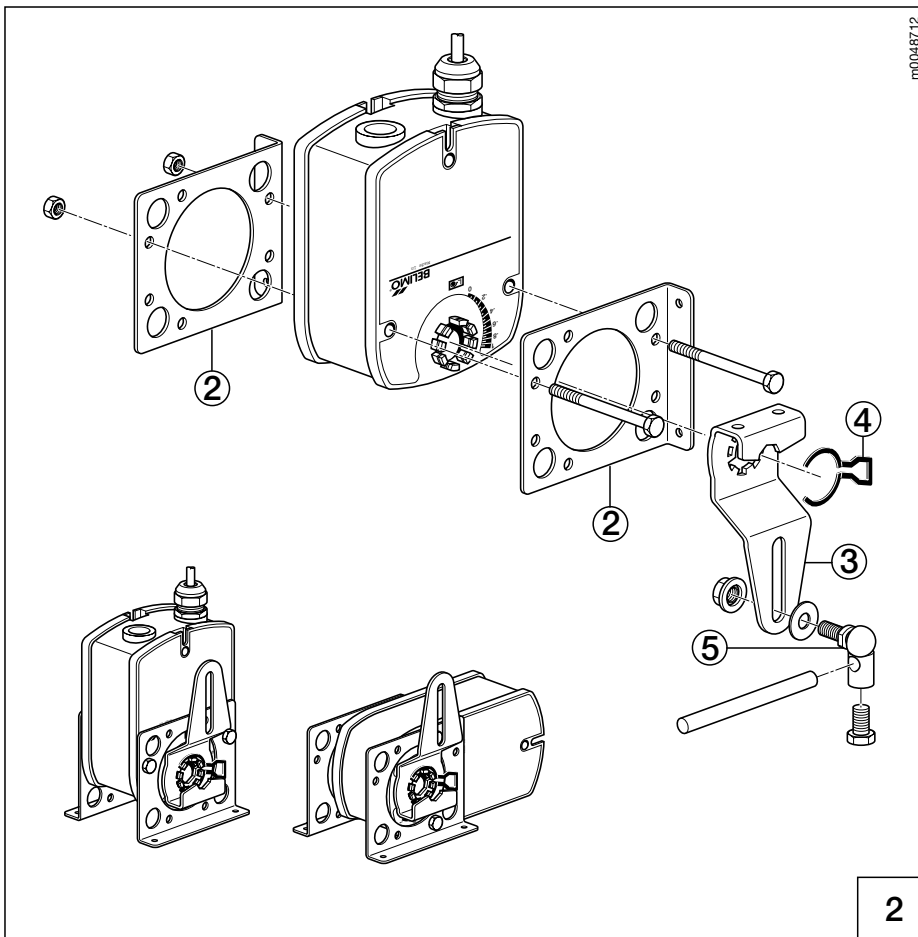
**Kit specification ZG-LF1**

- ① 1 mounting bracket LF
- ③ 1 crank arm ½"
- ④ 1 circlip LF
- ⑤ 2 ball joints KG8

- 3 screws M6 x 67
- 3 nuts M6
- 3 self-tapping screws 4.2 x 13

⑥ Universal crank arm:  
order separately, not included with the  
ZG-LF... mounting accessory.

1



**Side mounting (fig. 2)**

**Kit specification ZG-LF3**

- ② 2 mounting brackets LF
- ③ 1 crank arm ½"
- ④ 1 circlip LF
- ⑤ 2 ball joints KG8

- 2 screws M6 x 67
- 2 nuts M6
- 4 self-tapping screws 4.2 x 13

2