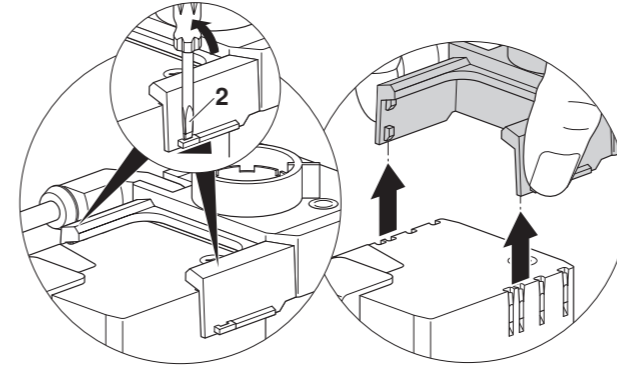
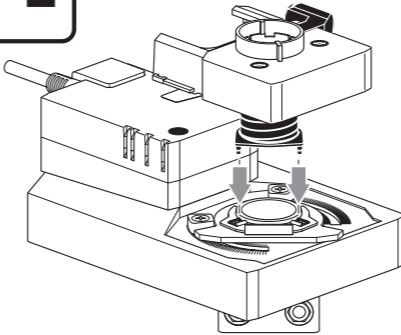
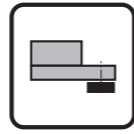
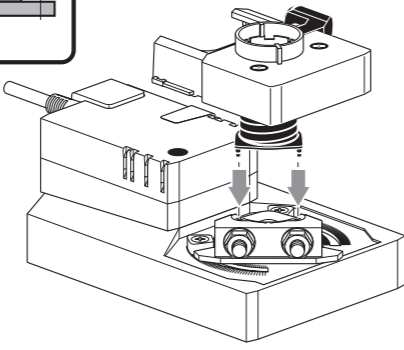
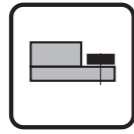
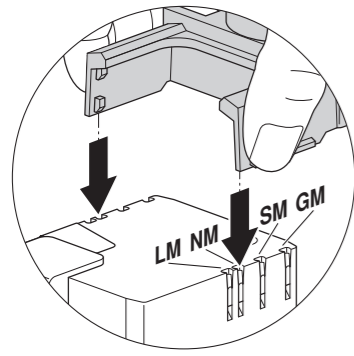
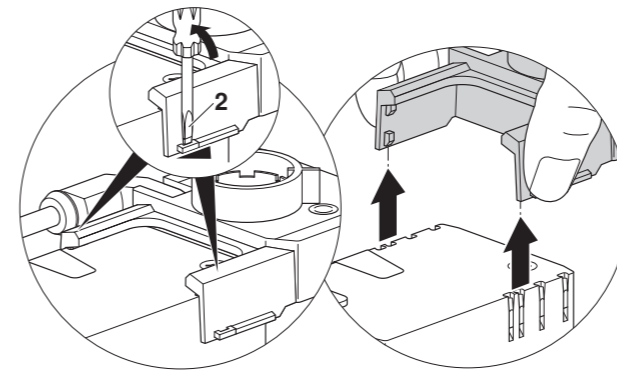
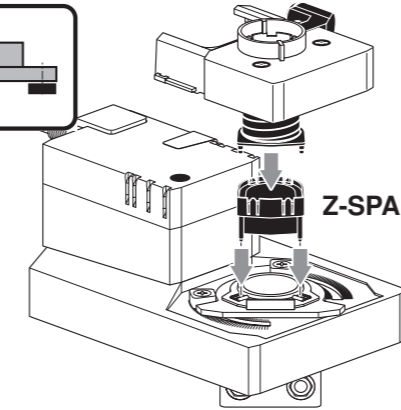
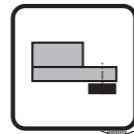
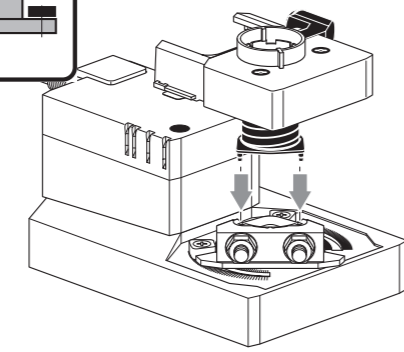
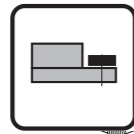
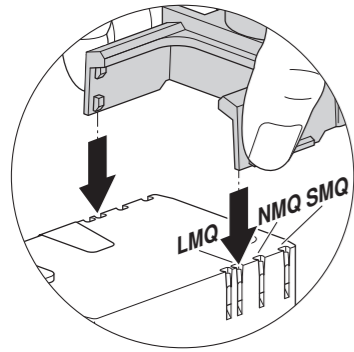


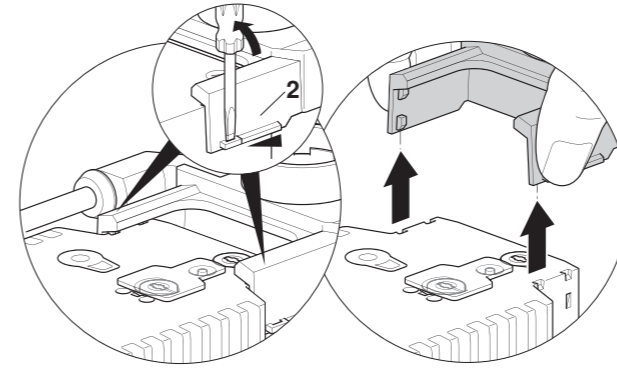
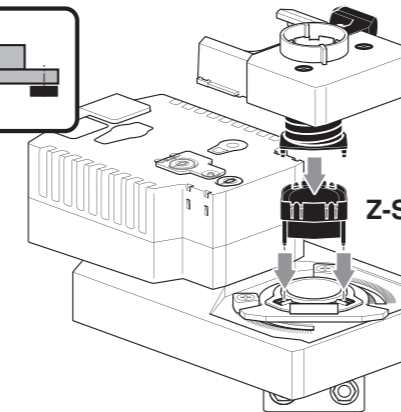
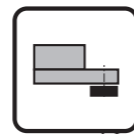
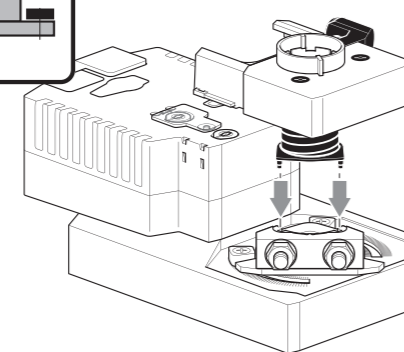
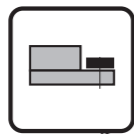
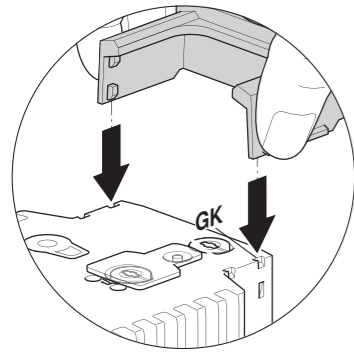
**LM / NM / SM / GM**



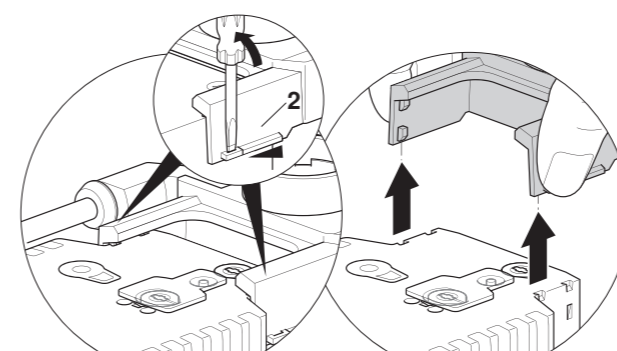
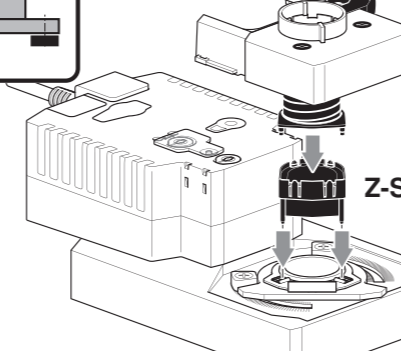
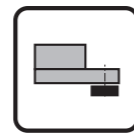
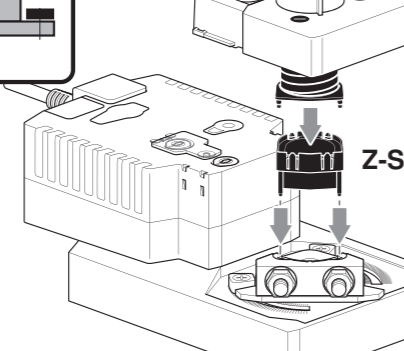
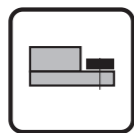
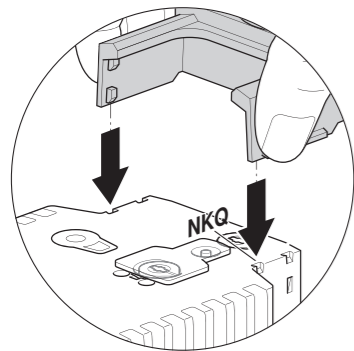
**LMQ / NMQ / SMQ**



**GK**

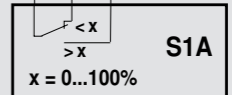


**NKQ**

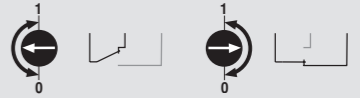


**S..A..**

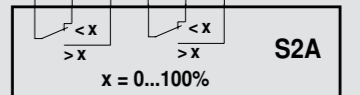
S1 S2 S3



x = 0...100%



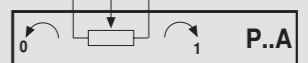
S1 S2 S3 S4 S5 S6



x = 0...100%

**P..A..**

S1 S2 S3



10040-00001

