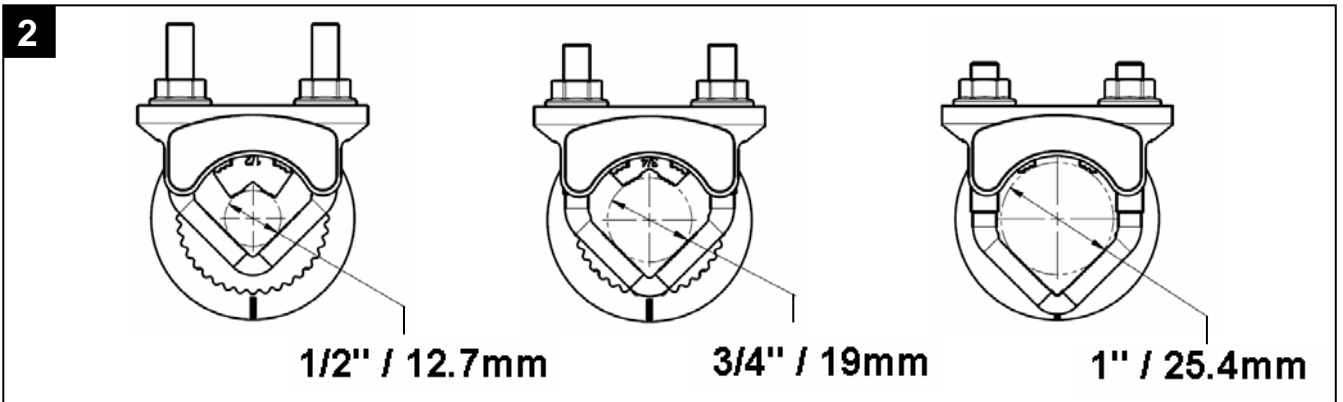
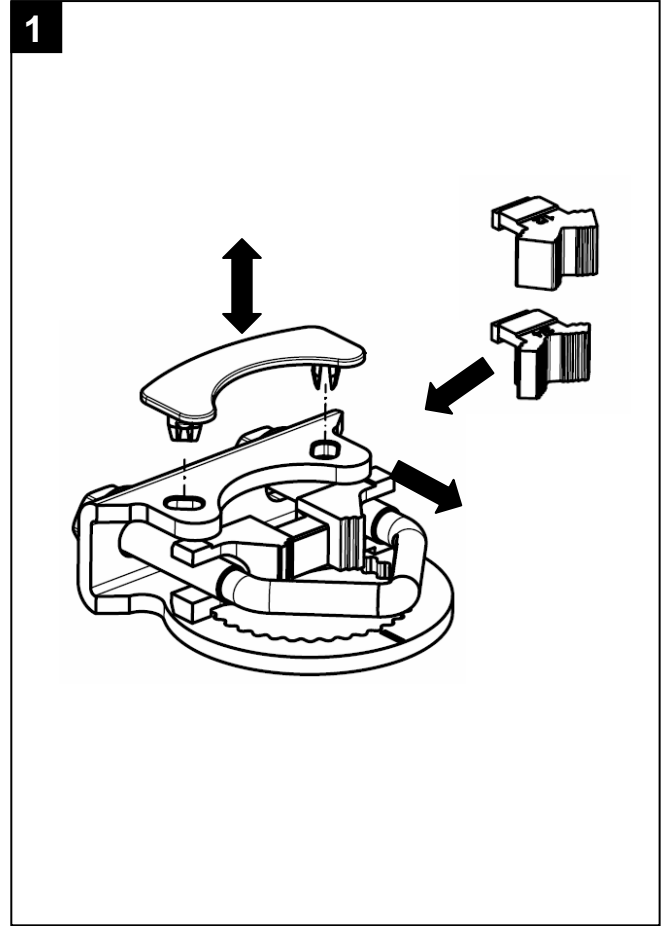
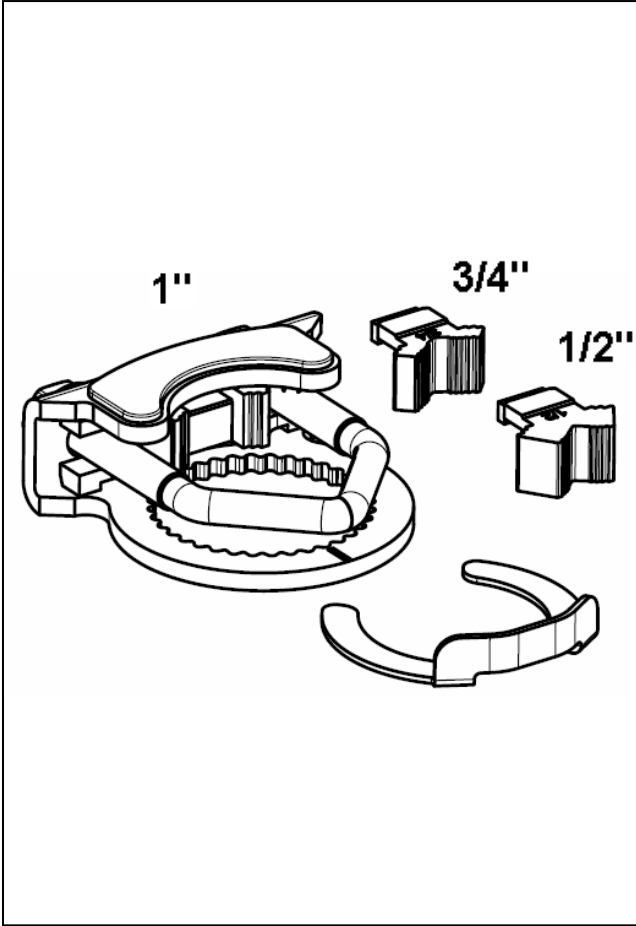





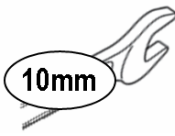


71135-00001.A



						 9 Nm / 80 in-lb
1/2"	mm	12.7	10 ... 19	---	14 ... 20	
	inch	1/2	2/5 ... 3/4	---	9/16 ... 3/4	
3/4"	mm	19	10 ... 22	10	14 ... 25.4	
	inch	3/4	2/5 ... 3/4	3/8	9/16 ... 1	
1"	mm	25.4	19 ... 26.7	12 ... 18	---	
	inch	1	3/4 ... 1.05	1/2 ... 11/16	---	