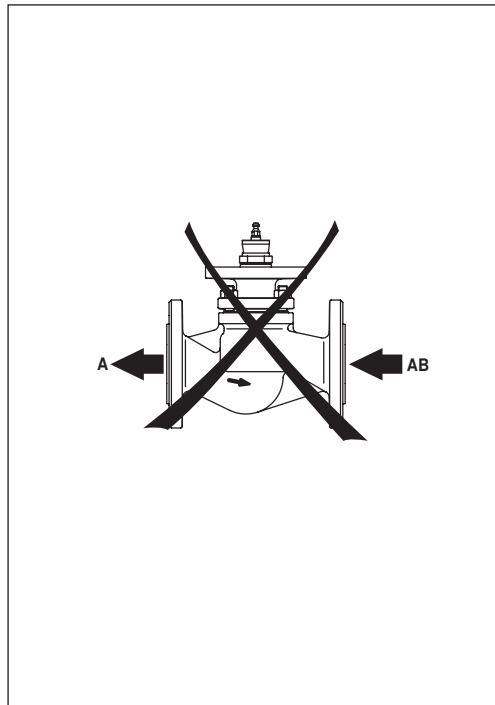
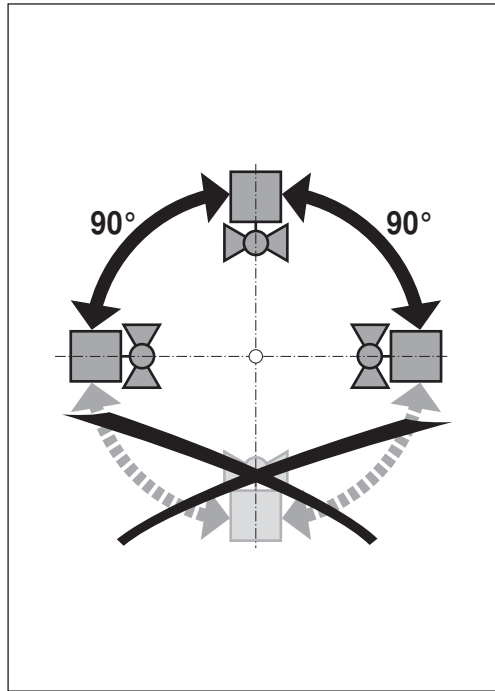


BELIMO
BELIMO Automation Ltd
Brunnenbachstrasse 1
8340 Hinwil
SWITZERLAND

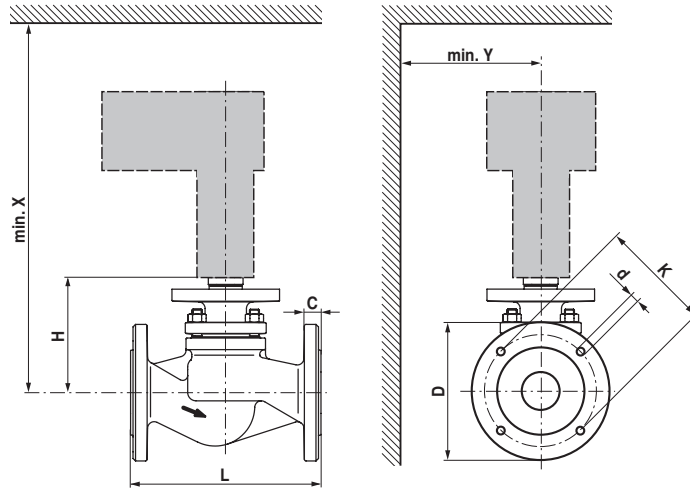
H6..X..S(P)2



71558-00001.B



H6..X..S(P)2



ps <2500 kPa (PN25) t= +5... +120°C ps <2430 kPa (PN25) t= +121... +150°C		H6..X..-S2	H6..X..-SP2	LV..A.. 500N		NV..A.. 1000N		SV..A.. 1500N									
DN	Hub /Stroke [mm]			Δps [kPa]	$\Delta pmax$ [kPa]	Δps [kPa]	$\Delta pmax$ [kPa]	Δps [kPa]	$\Delta pmax$ [kPa]	L [mm]	H [mm]	D [mm]	K [mm]	d [mm]	C [mm]	X [mm]	Y [mm]
15	15	H6015XP4-S2		2500	1000	2500	1000	2500	1000	130	118	95	65	4 x 14	16	370	100
16	15	H6015XP63-S2		2500	1000	2500	1000	2500	1000	130	118	95	65	4 x 14	16	370	100
15	15	H6015X1-S2		800	800	2200	1000	2500	1000	130	118	95	65	4 x 14	16	370	100
15	15	H6015X1P6-S2		800	800	2200	1000	2500	1000	130	118	95	65	4 x 14	16	370	100
15	15	H6015X2P5-S2		800	800	2200	1000	2500	1000	130	118	95	65	4 x 14	16	370	100
15	15	H6015X4-S2		800	800	2200	1000	2500	1000	130	118	95	65	4 x 14	16	370	100
20	15	H6020X4-S2		800	800	2200	1000	2500	1000	150	118	105	75	4 x 14	18	370	100
20	15	H6020X6P3-S2		600	600	1500	1000	2500	1000	150	118	105	75	4 x 14	18	370	100
25	15	H6025X6P3-S2		450	450	1300	1000	2100	1000	160	126	115	85	4 x 14	18	380	100
25	15	H6025X10-S2		450	450	1300	1000	2100	1000	160	126	115	85	4 x 14	18	380	100
32	15	H6032X10-S2		300	300	900	900	1500	1000	180	126	140	100	4 x 18	18	380	100
32	15	H6032X16-S2		300	300	900	900	1500	1000	180	126	140	100	4 x 18	18	380	100
40	15	H6040X16-S2		140	140	500	500	850	850	200	133	150	110	4 x 18	18	390	100
40	15	H6040X25-S2		140	140	500	500	850	850	200	133	150	110	4 x 18	18	390	100
50	15	H6050X25-S2		60	60	300	300	500	500	230	139	165	125	4 x 18	20	390	100
50	15	H6050X40-S2		60	60	300	300	500	500	230	139	165	125	4 x 18	20	390	100
65	18		H6065X58-SP2			2100	1000	2500	1000	290	152	185	145	8 x 18	22	400	100
80	18		H6080X90-SP2			1600	1000	2400	1000	310	170	200	160	8 x 18	24	420	150
100	18		H6100X125-SP2			1000	1000	1700	1000	350	190	235	190	8 x 22	24	440	150