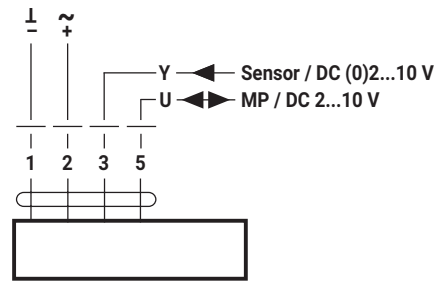
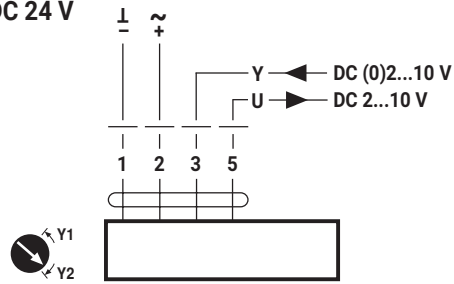


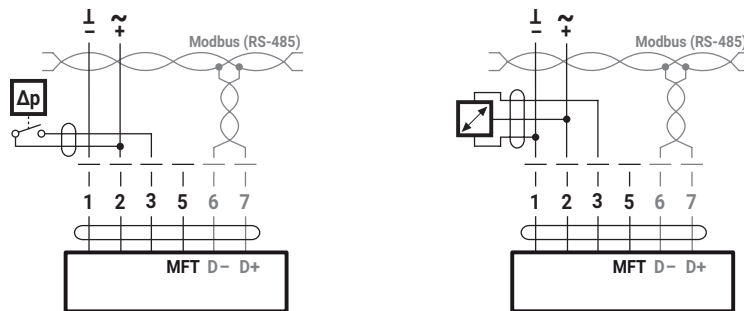
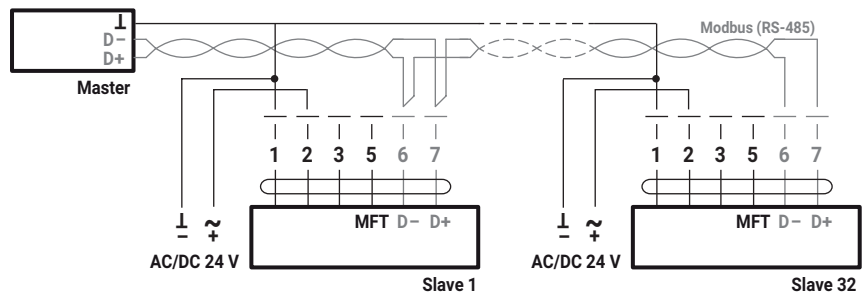
AC 24 V / DC 24 V



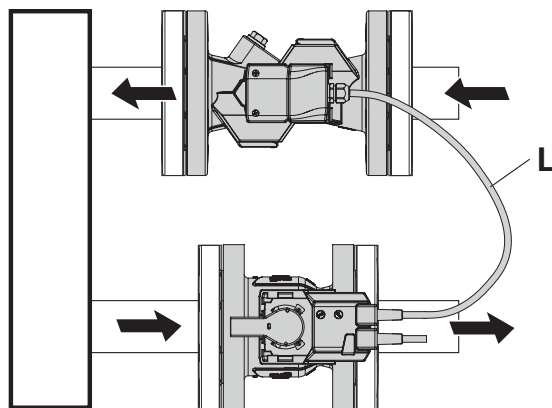
KMP

NC	NO
A - AB = 0%	A - AB = 100%

MOD



i optional



DN	L [mm]
65...150	830