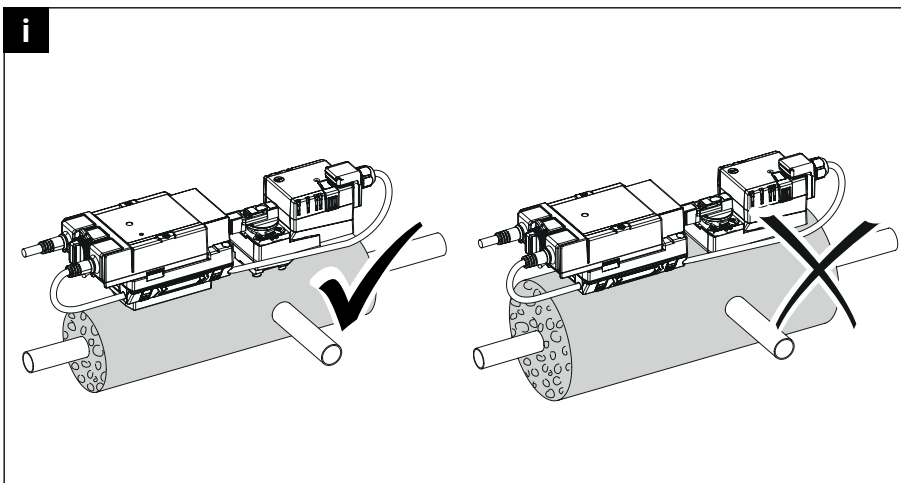
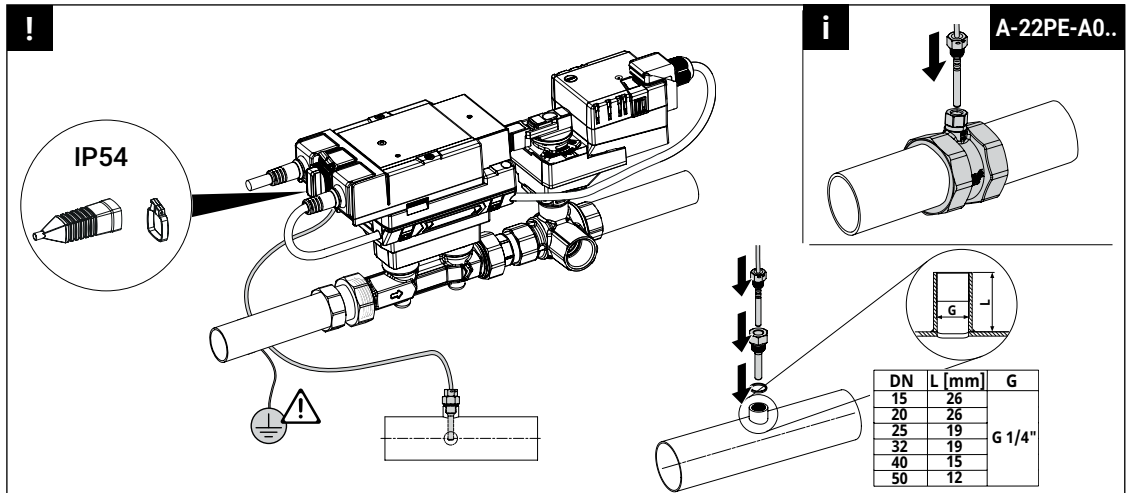
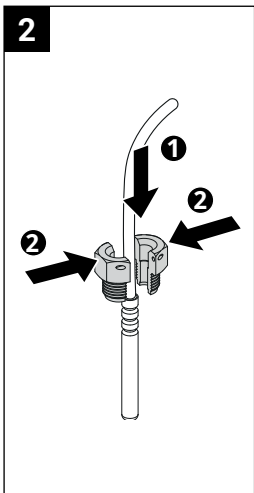
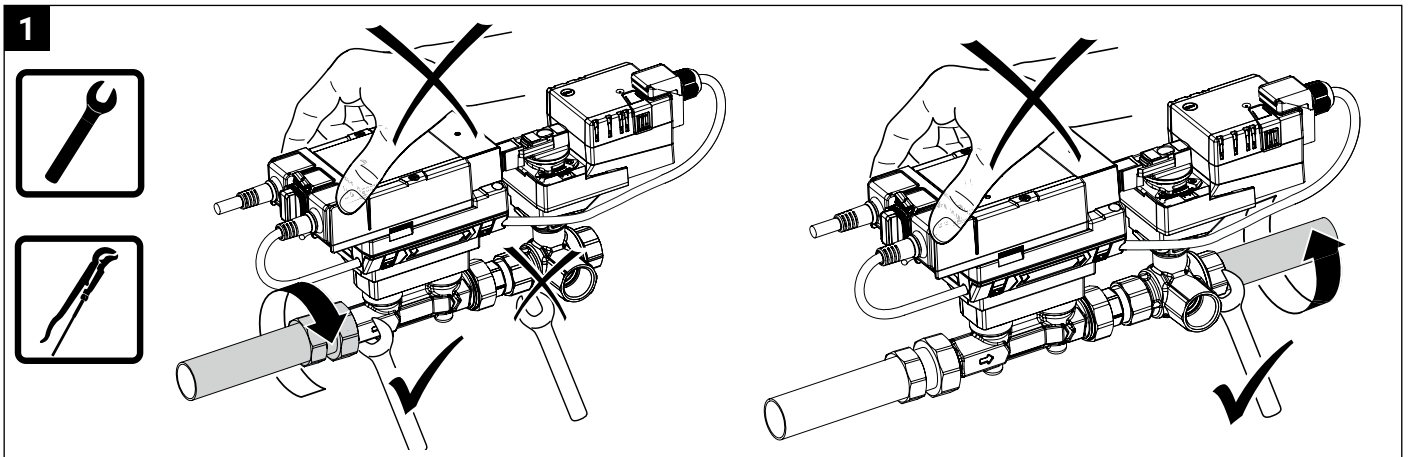
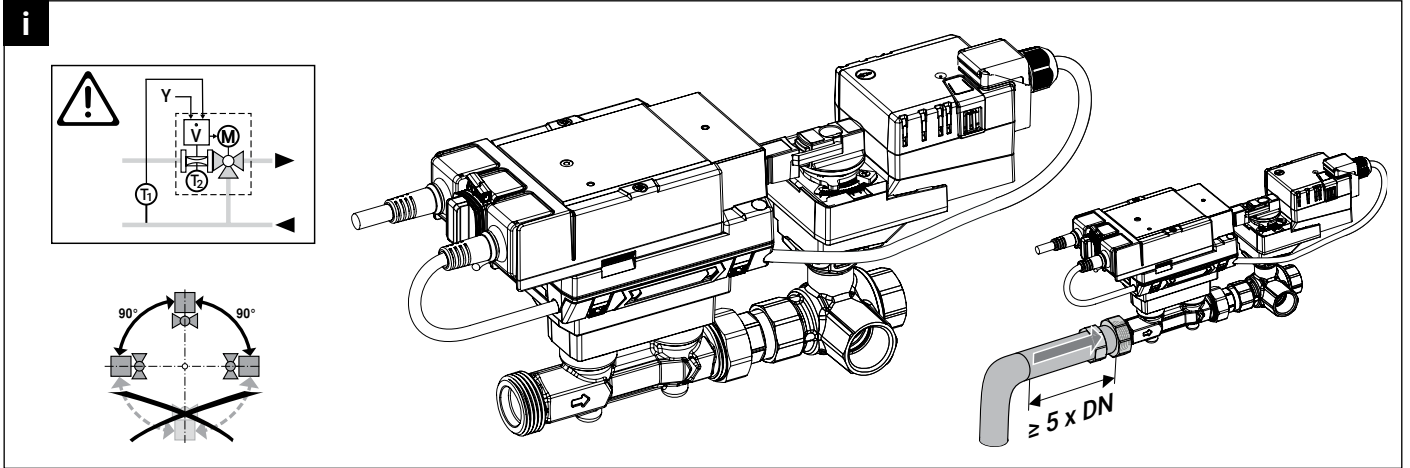
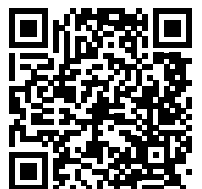


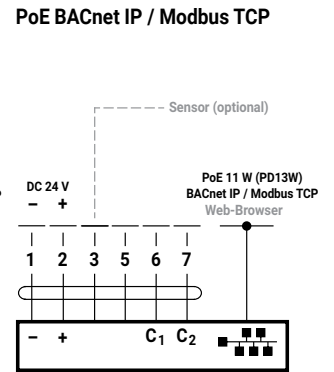
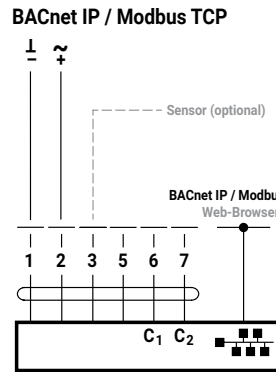
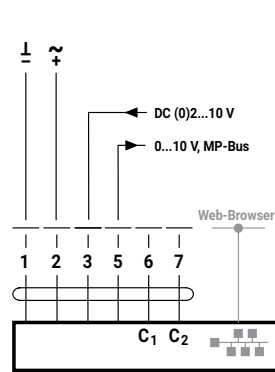
70614-00001.D



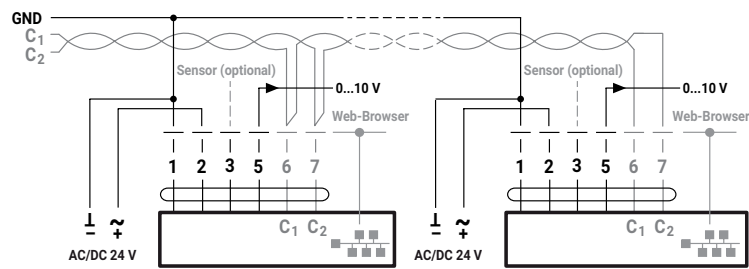
www.belimo.com/safety



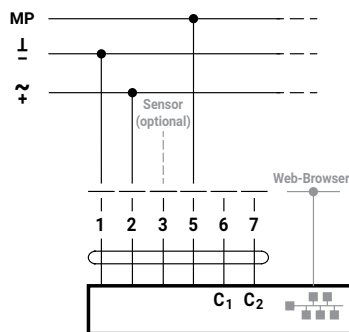
- 1 = GND
- 2 = AC/DC 24 V
- 3 = Sensor
- 5 = MP, 0...10 V
- 6 = C1 = D- = A
- 7 = C2 = D+ = B



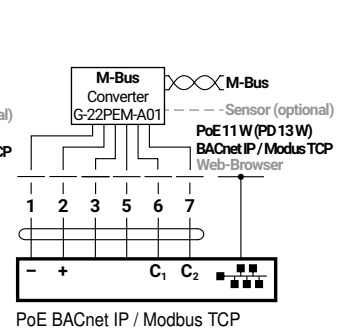
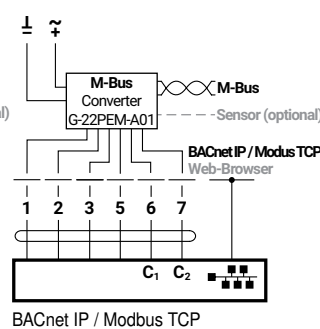
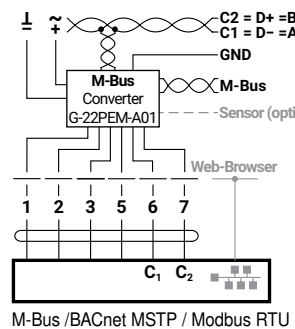
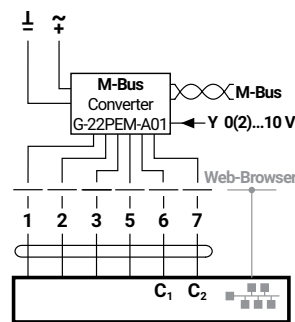
BACnet MSTP / Modbus RTU



MP-Bus



M-Bus



Sensor (optional)

