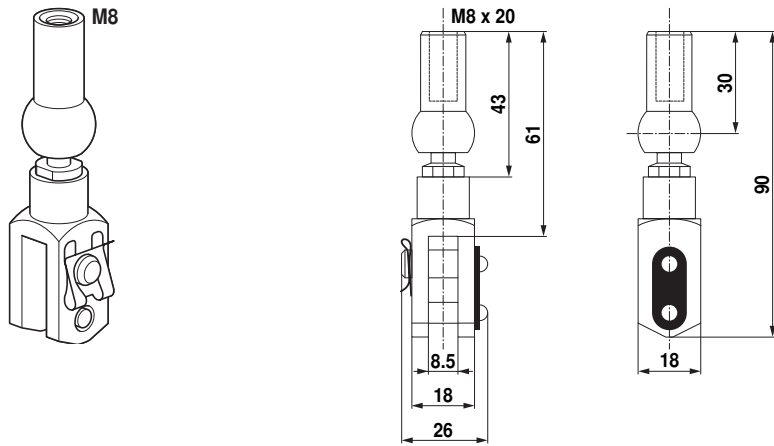


Coupling piece Z-KS1

Comprising:

- 1 forkhead
 - 1 axial joint with female thread M8
 - 1 double safety bolt
 - 1 safety clamp
- Galvanized steel



Note

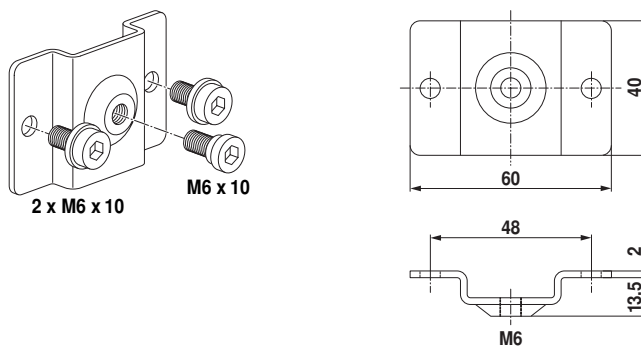
Consider possible actuation force losses !



Rotary support Z-DS1

Comprising:

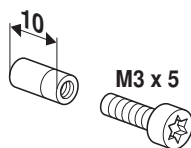
- 1 basic plate with thread M6
 - 2 cylinderscrews M6 x 10
 - 1 bearing bolt
- Galvanized steel



Mechanical limiter set Z-AS1

Comprising:

- 1 mechanical limiter SH
- 1 cylinderscrew M3 x 5 (Torx)



Packaging unit: 20 pieces

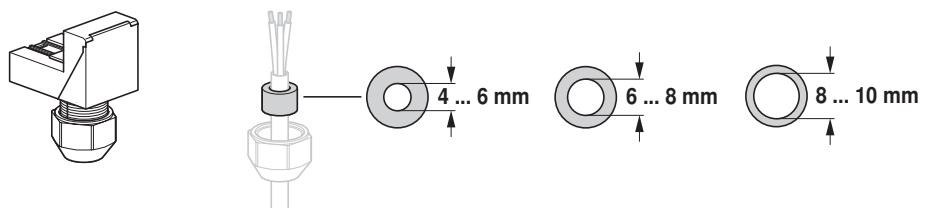
Attention

Only for open-close and MF types !



Terminal protection Z-TP

- Protection IP54 for actuators with terminals, incl. cable sealing set



Packaging unit: 20 pieces