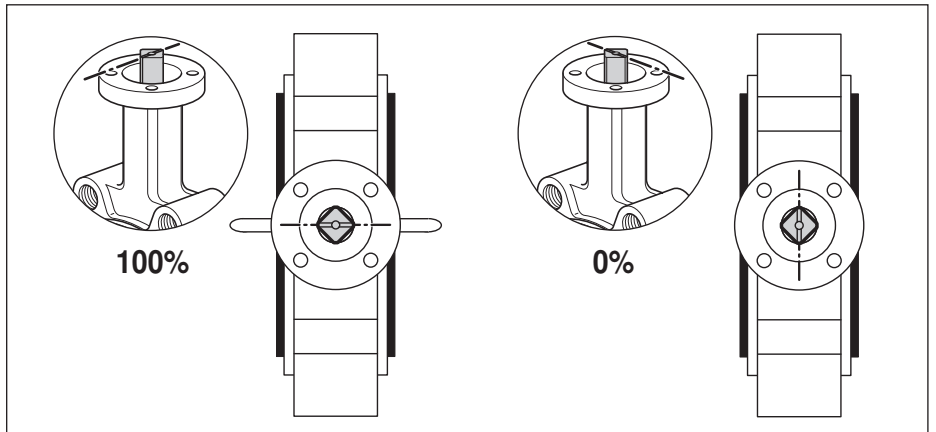
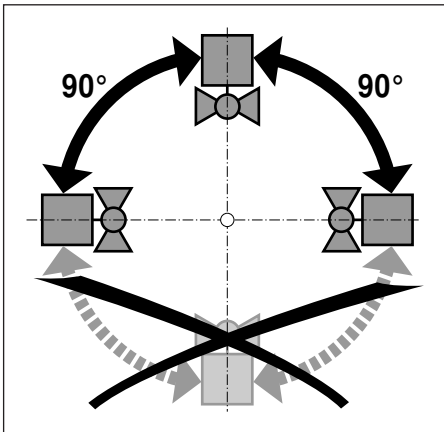
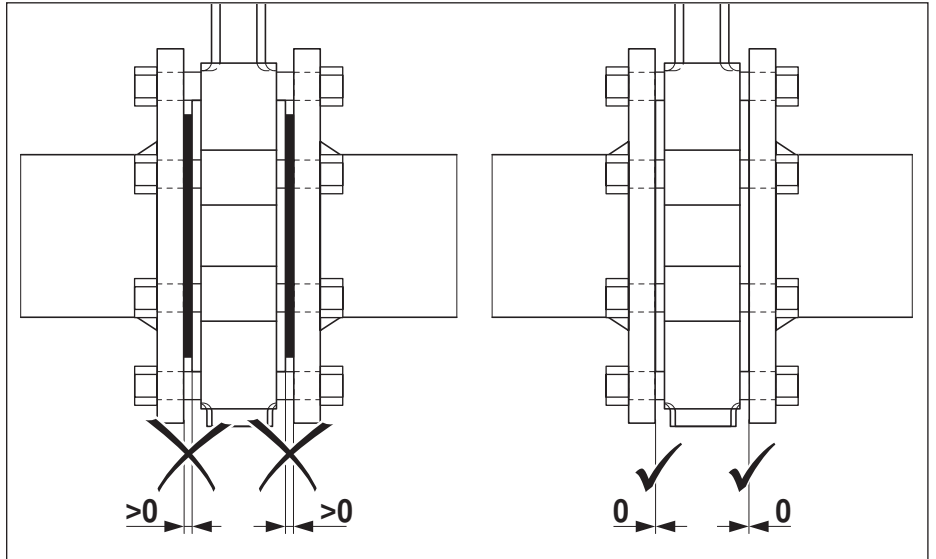
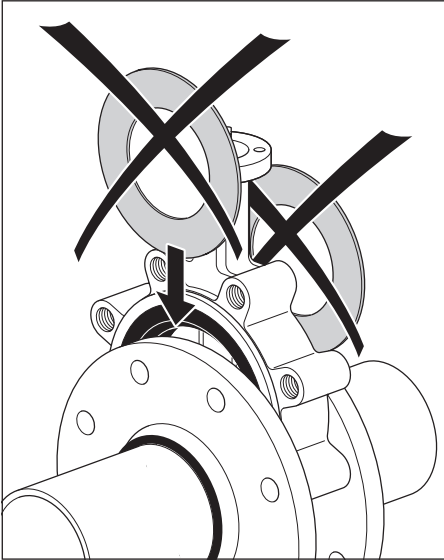


DN	A	B
DN 25	M12	≤35 Nm
DN 32	M16	≤94 Nm
DN 40	M16	≤94 Nm
DN 50	M16	≤94 Nm
DN 65	M16	≤94 Nm
DN 80	M16	≤94 Nm
DN 100	M16	≤94 Nm
DN 125	M16	≤94 Nm
DN 150	M20	≤162 Nm
DN 200	M20	≤162 Nm
DN 250	M24	≤270 Nm
DN 300	M24	≤270 Nm
DN 350	M24	≤270 Nm





**D6..WL**

