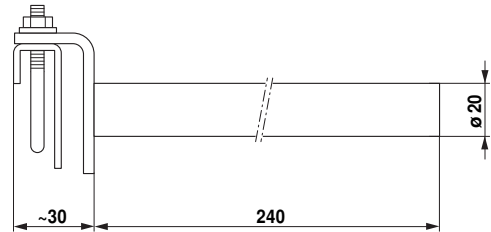
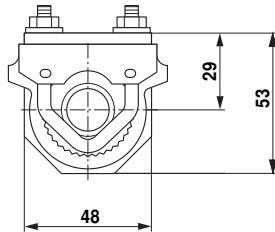
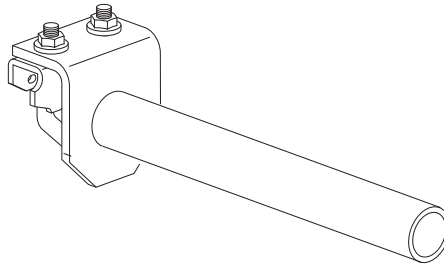
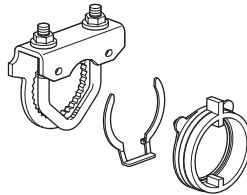


Shaft extension AV8-25

- Length approx. 250 mm
- For damper spindles \varnothing 8 ... 25 mm
- \varnothing Extension 20 mm


Single side spindle clamp K-ENSA

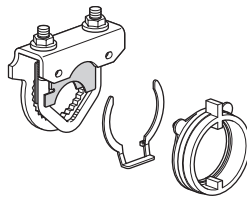
- For damper spindles \varnothing 8 ... 26 mm



Packaging unit: 20 pieces

Single side spindle clamp K-ENMA

- For damper spindles \varnothing 8 ... 26 mm

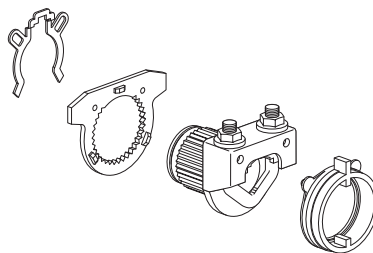


Packaging unit: 20 pieces

| | | |
|----------------------------------|----------------------------------|----------------------------|
| | | |
| $\varnothing \geq 10.0$ mm | $\varnothing \geq 16.0$ mm | $\varnothing \geq 8.0$ mm |
| $\oplus 12.7$ mm $\frac{1}{2}$ " | $\oplus 19.0$ mm $\frac{3}{4}$ " | $\oplus 25.4$ mm 1" |
| $\varnothing \leq 18.0$ mm | $\varnothing \leq 22.0$ mm | $\varnothing \leq 26.7$ mm |

Reversible spindle clamp K-NA

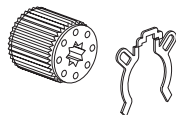
- For damper spindles \varnothing 8 ... 20 mm



Packaging unit: 20 pieces

Form-fit adapters ZF..-N..A

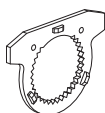
| Article number | Shaft dimensions |
|----------------|------------------|
| • ZF8-NMA | 8 x 8 mm |
| • ZF10-NSA | 10 x 10 mm |
| • ZF12-NSA | 12 x 12 mm |
| • ZF15-NSA | 15 x 15 mm |
| • ZF16-NSA | 16 x 16 mm |



Packaging unit: 20 pieces

Angel of rotation limiter

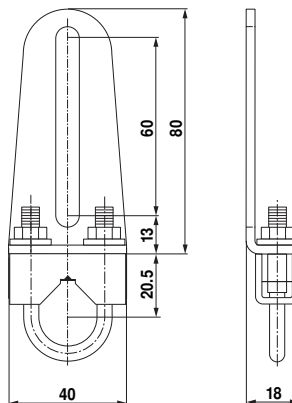
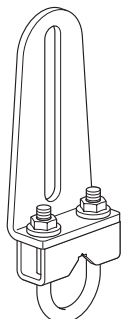
- For form-fit adapter
- For reversible spindle clamp K-NA



Article number 20334-00001

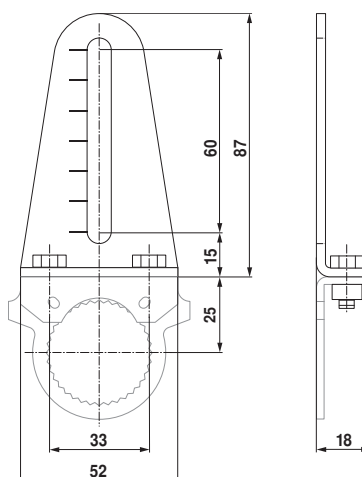
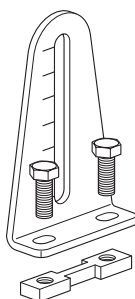
Damper crank arm KH8

- For damper spindles
- Galvanized steel
- Clamping range \varnothing 10 ... 18 mm
- Slot width 8.2 mm



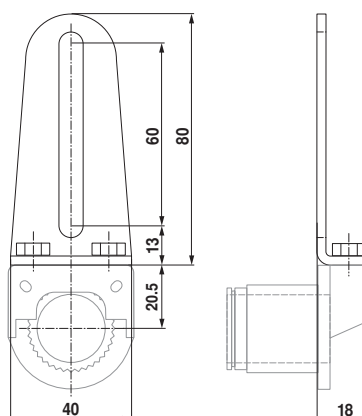
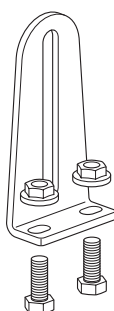
Actuator crank arm AH-25

- For standard spindle clamp (single side) K-ENSA
- Slot width 8.2 mm
- Galvanized steel

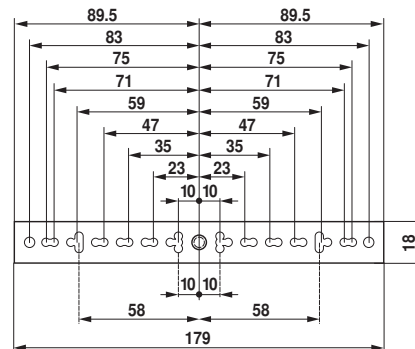
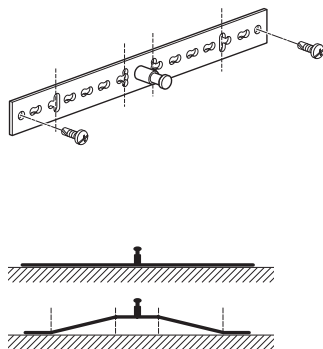


Actuator crank arm AH-20

- For reversible spindle clamp K-NA
- Slot width 8.2 mm
- Galvanized steel



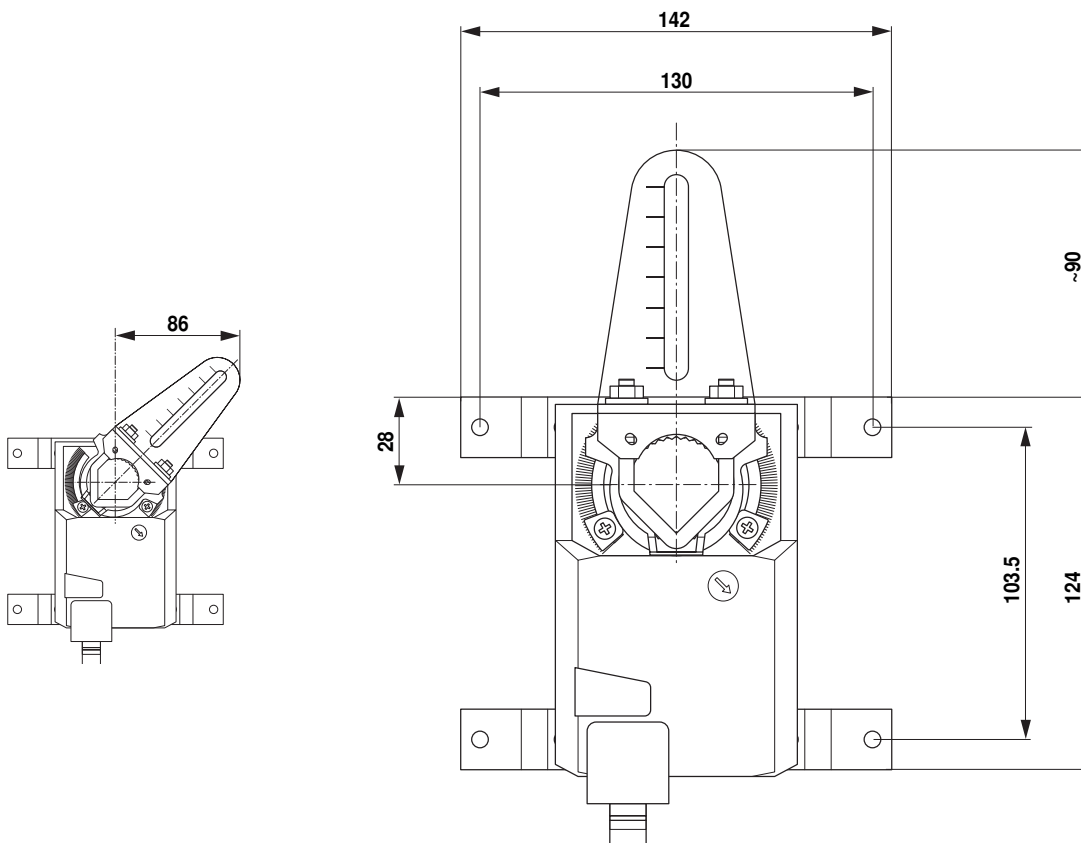
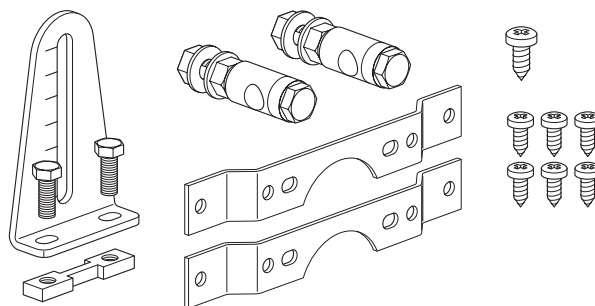
Anti-rotation strap Z-ARS180



Packaging unit: 20 pieces

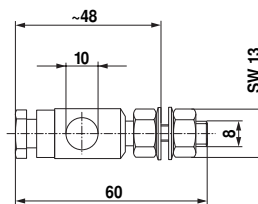
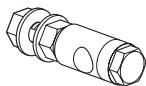
Mounting kit for damper linkage ZG-NMA

• For flat mounting



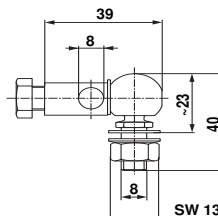
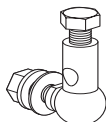
Ball joint KG10A

- Suitable for KH8 damper crank arms
- For round steel rod with \varnothing 10 mm
- Galvanized steel



Ball joint KG8

- Suitable for KH8 damper crank arms
- For round steel rod with \varnothing 8 mm
- Galvanized steel



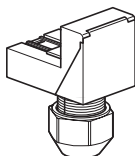
Position indication Z-PI



Packaging unit: 20 pieces

Terminal protection Z-TP

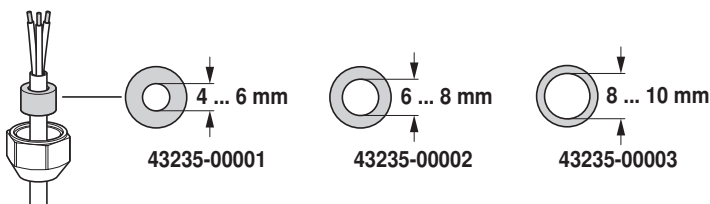
- Protection IP54 for actuators with terminals



Packaging unit: 20 pieces

Cable sealings for Z-TP

| Article number | \varnothing |
|----------------|---------------|
| • 43235-00001 | 4 ... 6 mm |
| • 43235-00002 | 6 ... 8 mm |
| • 43235-00003 | 8 ... 10 mm |



Extension for ground plate Z-NMA

- Extension from NM.. to NM..A..
- Galvanized steel

Packaging unit: 20 pieces

