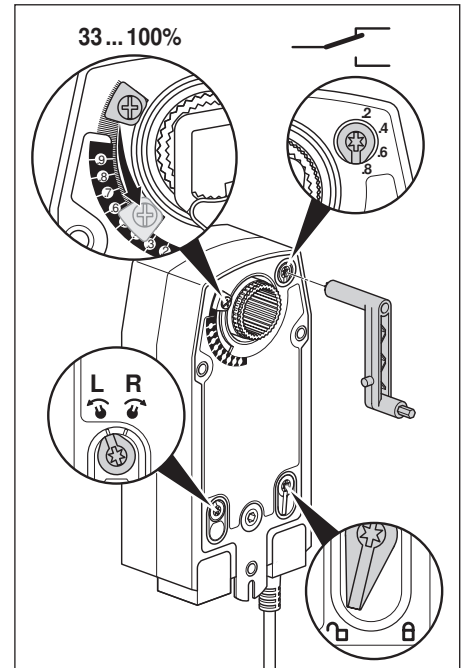
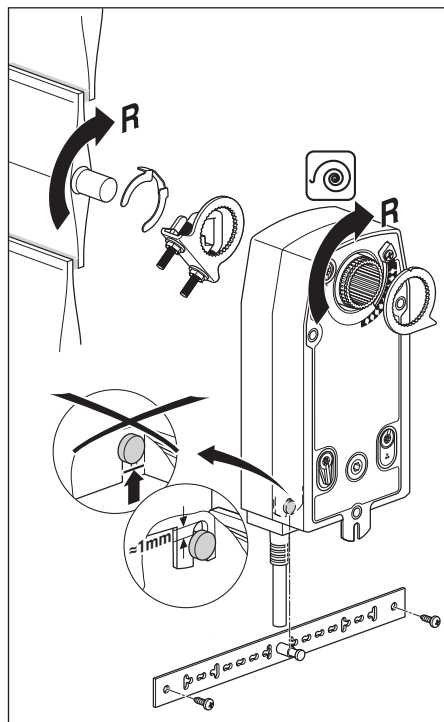
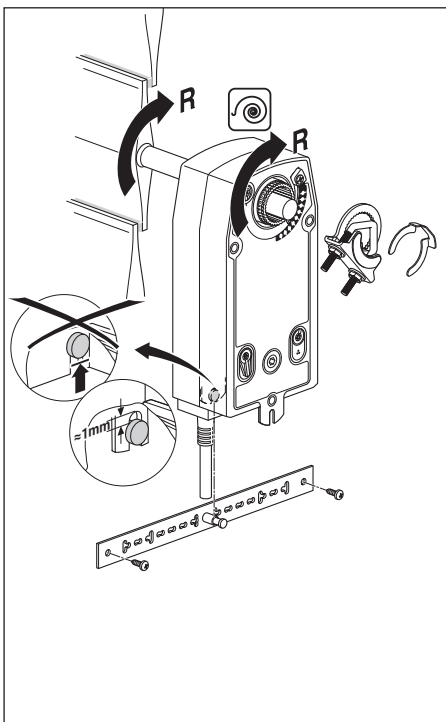
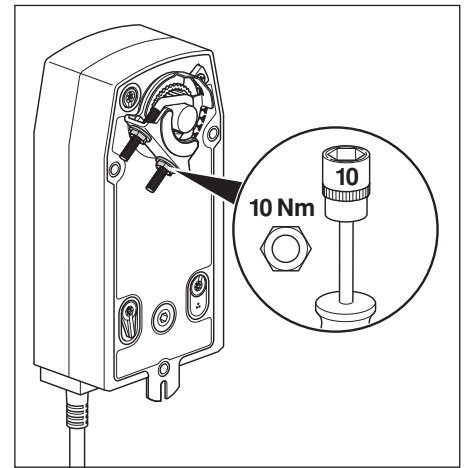
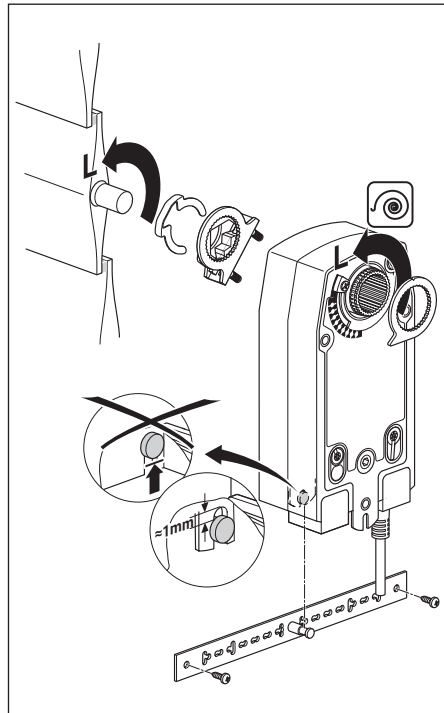
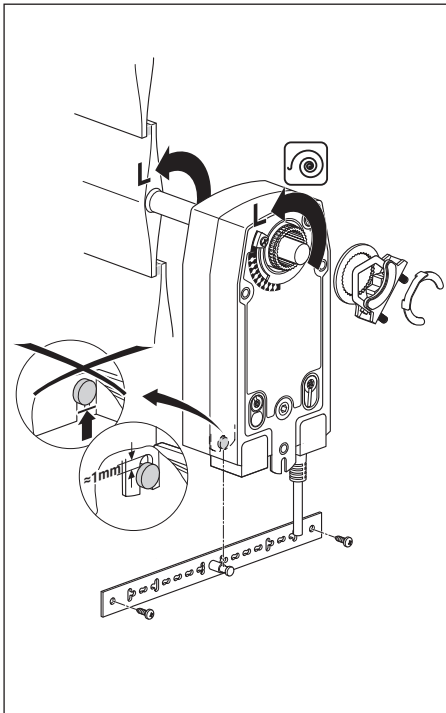
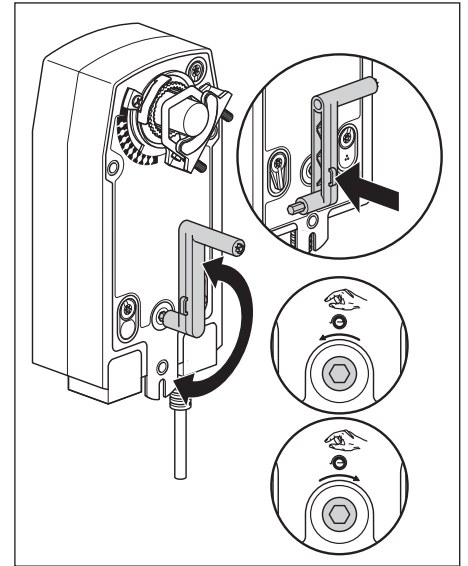


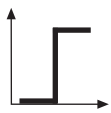
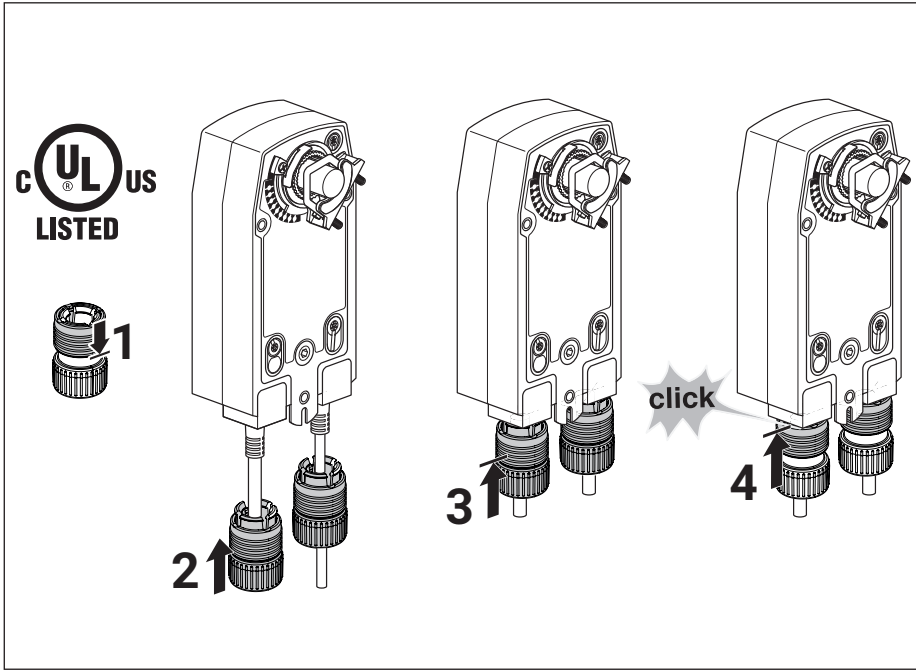
**A**

10...22	10	14...25.4
19...25.4	12...18	

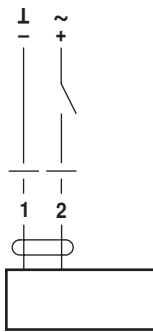
**B**

10...22	10	14...25.4
19...25.4	12...18	

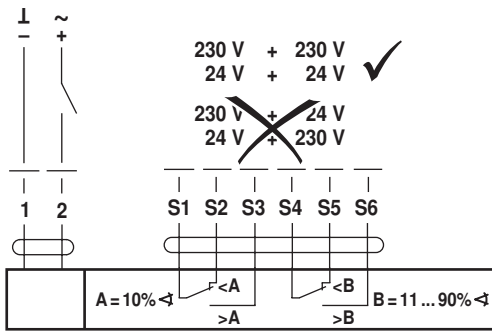




AC 24 V / DC 24 V

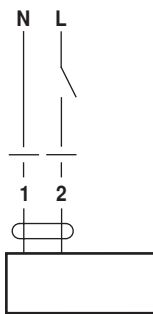


..F24A

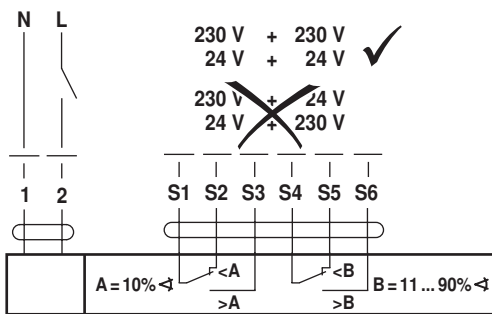


..F24A-S2

AC 230 V

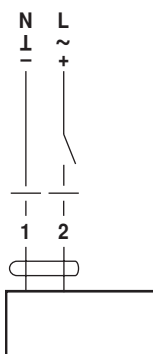


..F230A

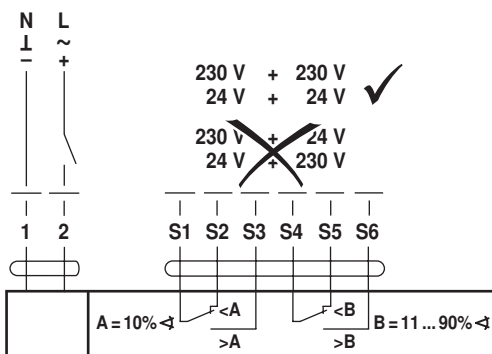


..F230A-S2

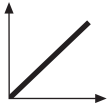
AC 24...240 V / DC 24...125 V



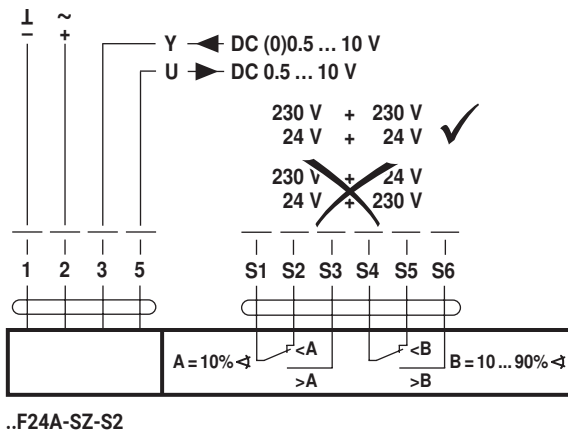
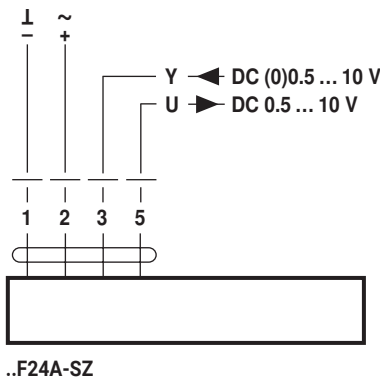
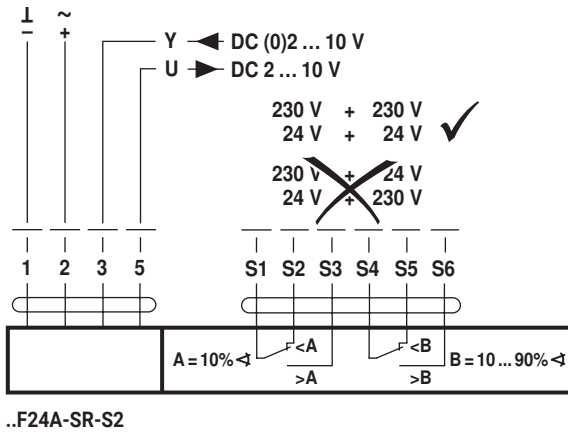
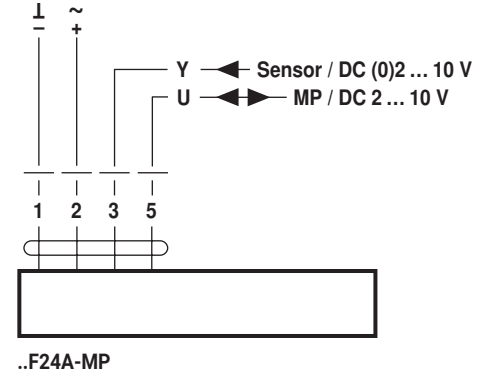
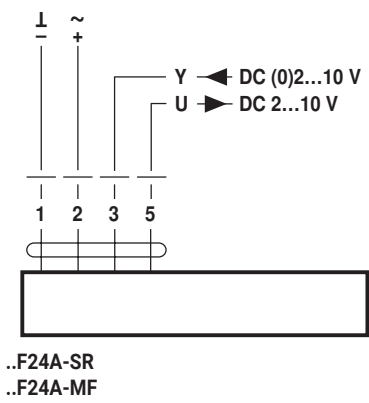
NFA  
SFA



NFA-S2  
SFA-S2

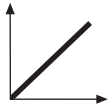


AC 24 V / DC 24 V

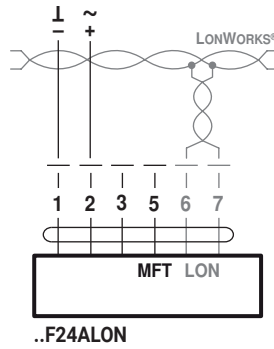


Y = 0	Y = 0	Y = 0	Y = 0

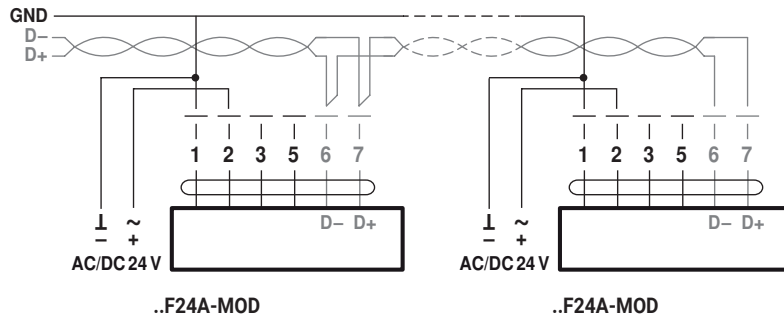
- ..F24A-SR
- ..F24A-SR-S2
- ..F24A-SZ
- ..F24A-SZ-S2



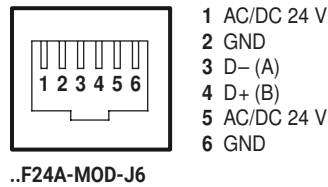
AC 24 V / DC 24 V



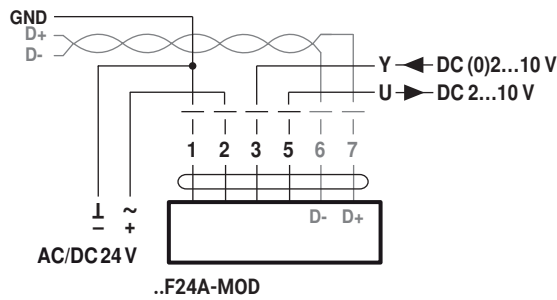
BACnet MS/TP / Modbus RTU

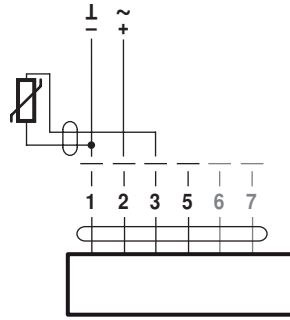


BACnet MS/TP / Modbus RTU / analog



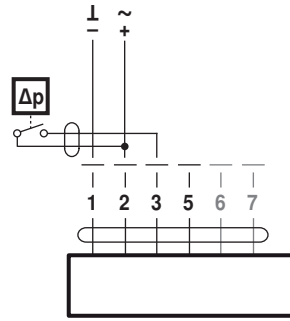
BACnet MS/TP / Modbus RTU / analog



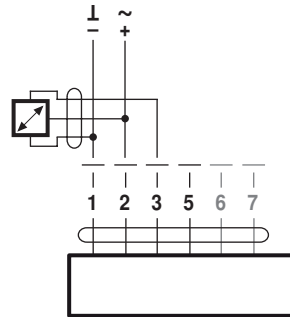
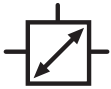


Ni1000	-28...+98°C	850...1600 Ω <sup>2)</sup>
PT1000	-35...+155°C	850...1600 Ω <sup>2)</sup>
NTC	-10...+160°C <sup>1)</sup>	200 Ω...60 kΩ <sup>2)</sup>

..LON / ..MOD / ..KNX



..LON / ..MOD / ..KNX



..LON / ..MOD / ..KNX