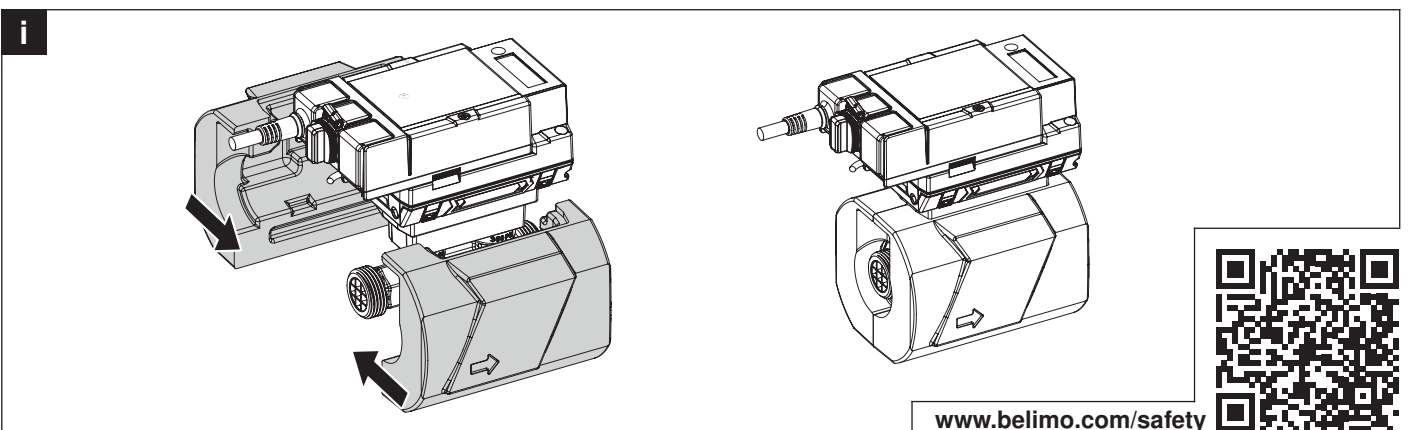
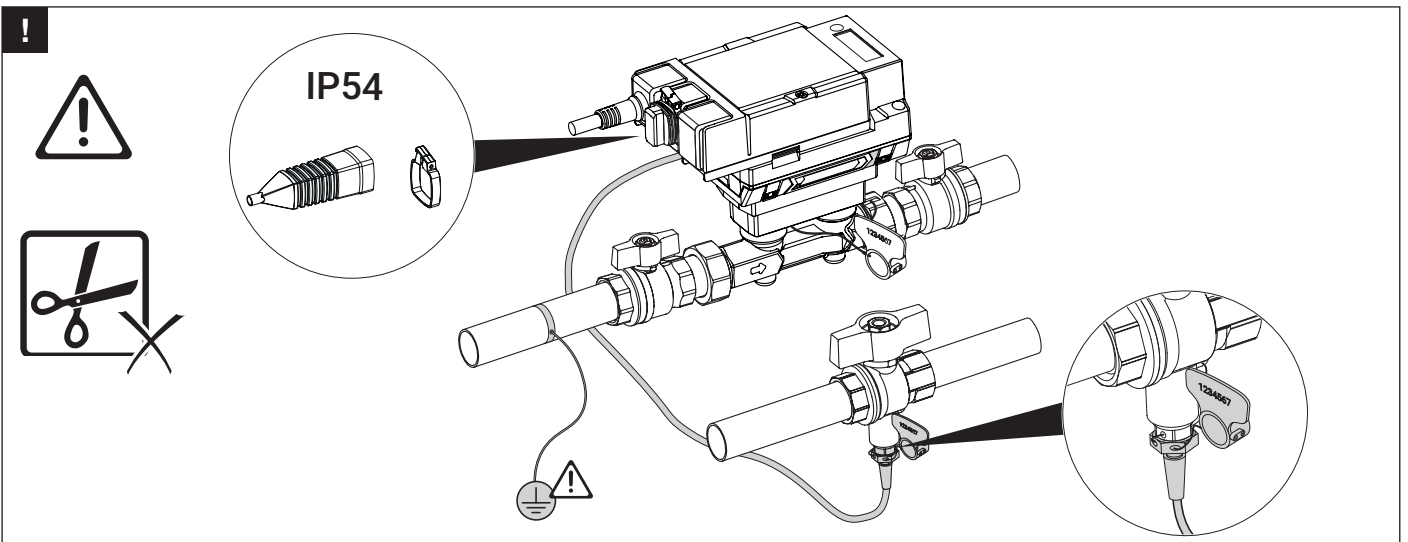
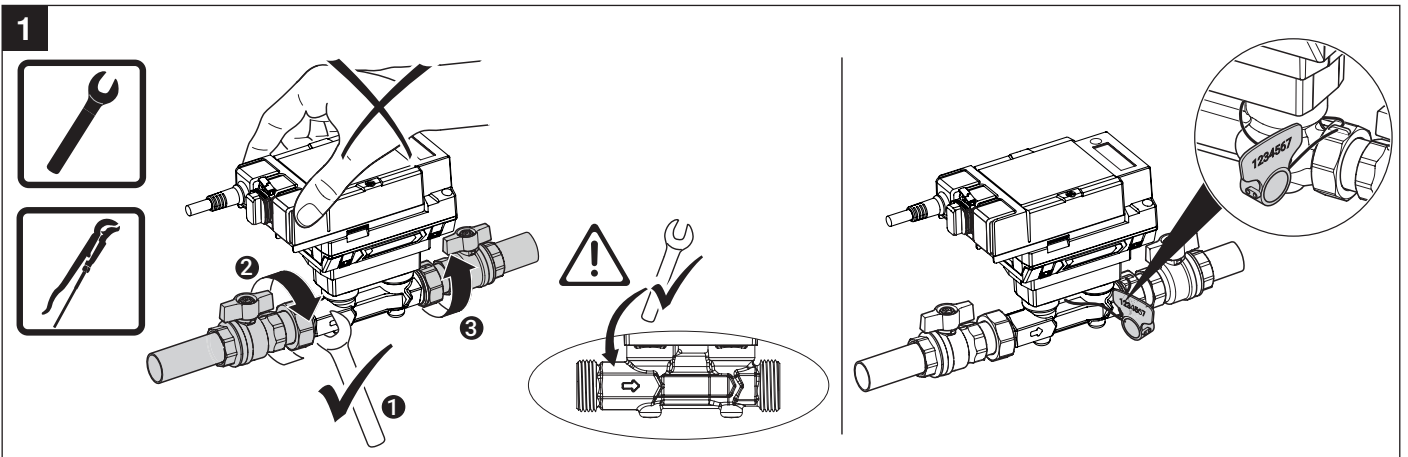
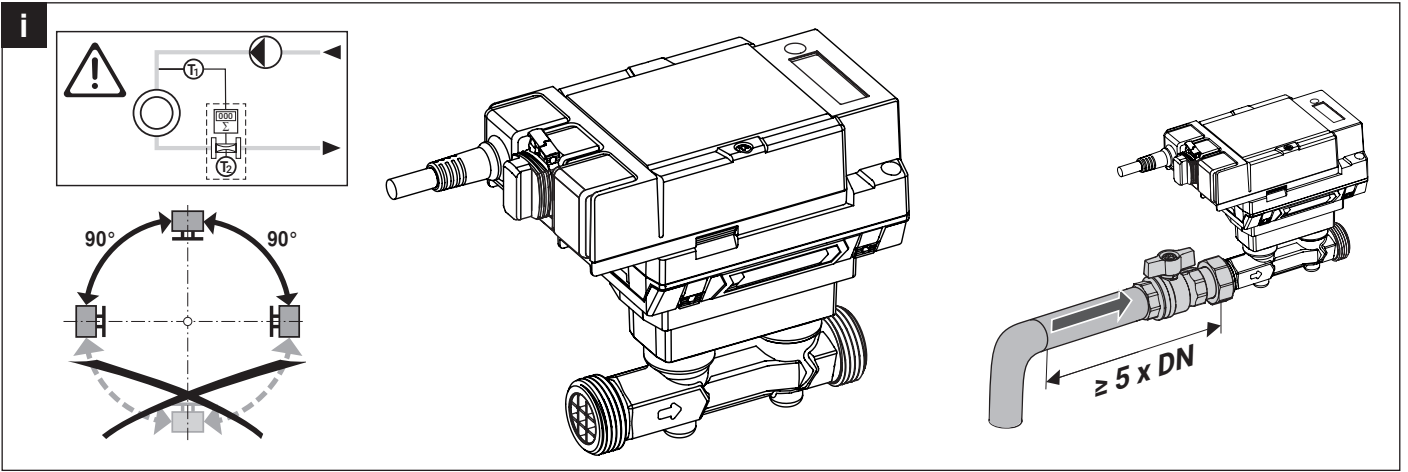


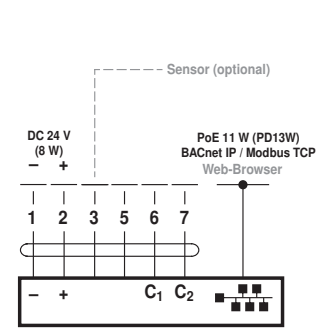
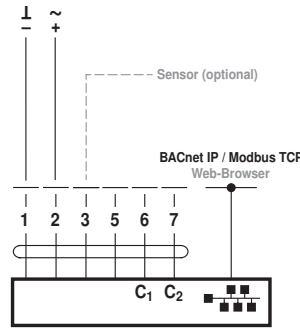
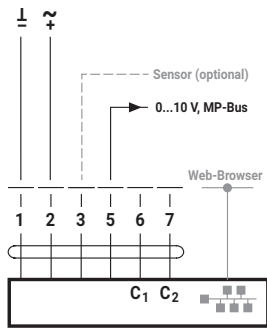
72080-00004.B



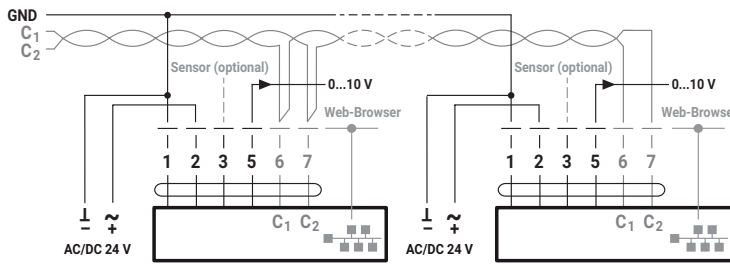
- 1 = GND
- 2 = AC/DC 24 V
- 3 = Sensor
- 5 = MP, 0...10 V
- 6 = C1 = D- = A
- 7 = C2 = D+ = B

BACnet IP / Modbus TCP

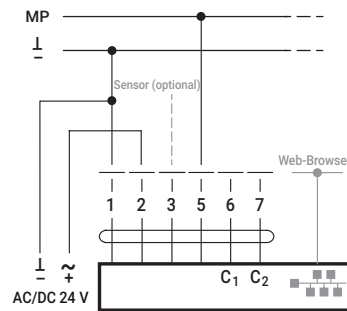
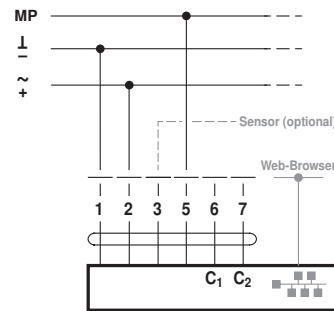
PoE BACnet IP / Modbus TCP



**BACnet MSTP / Modbus RTU**



**MP-Bus**

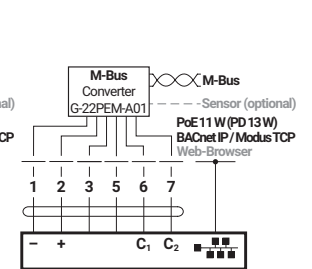
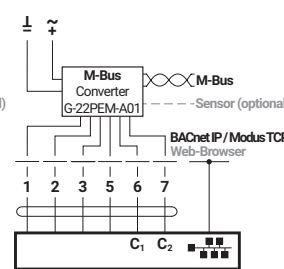
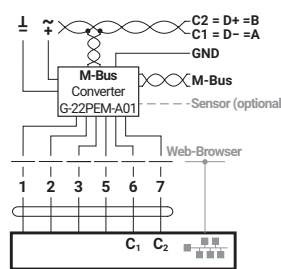
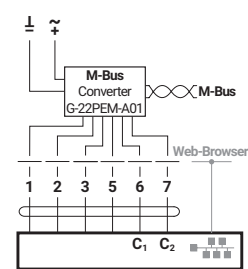


**M-Bus**

M-Bus / BACnet MSTP / Modbus RTU

M-Bus / BACnet IP / Modbus TCP

M-Bus / PoE / BACnet IP / Modbus TCP



**Sensor (optional)**

