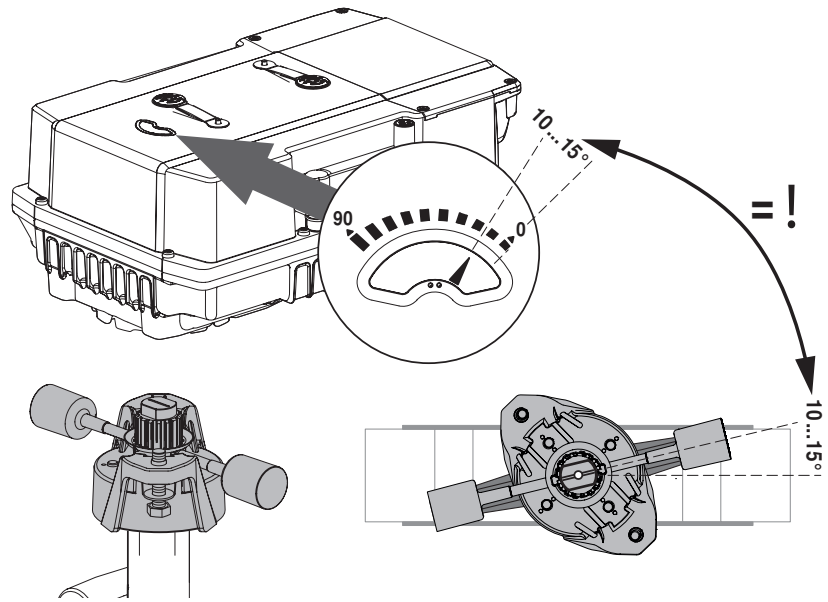
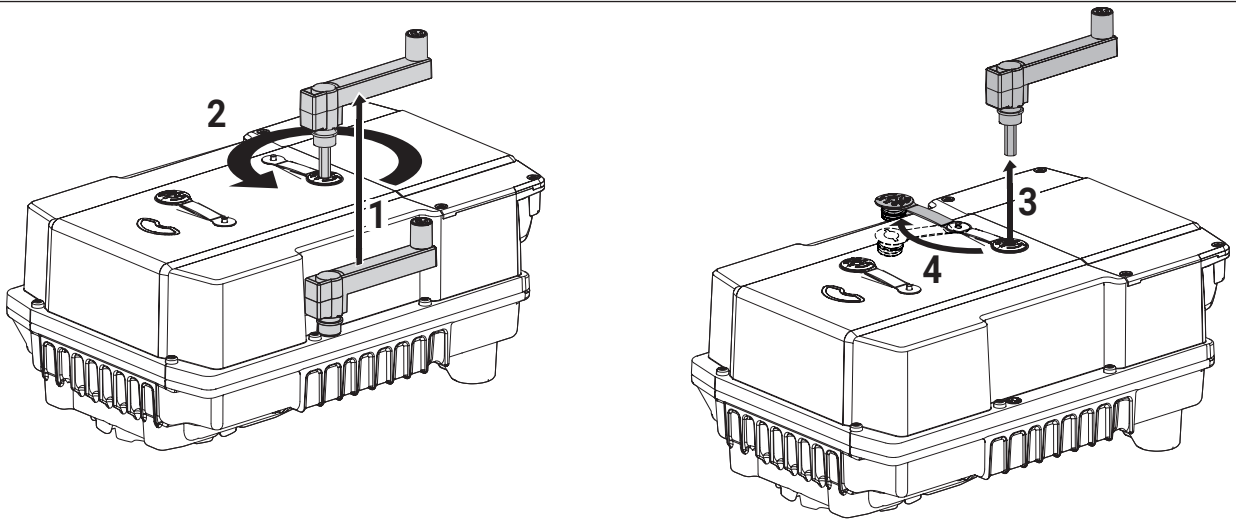


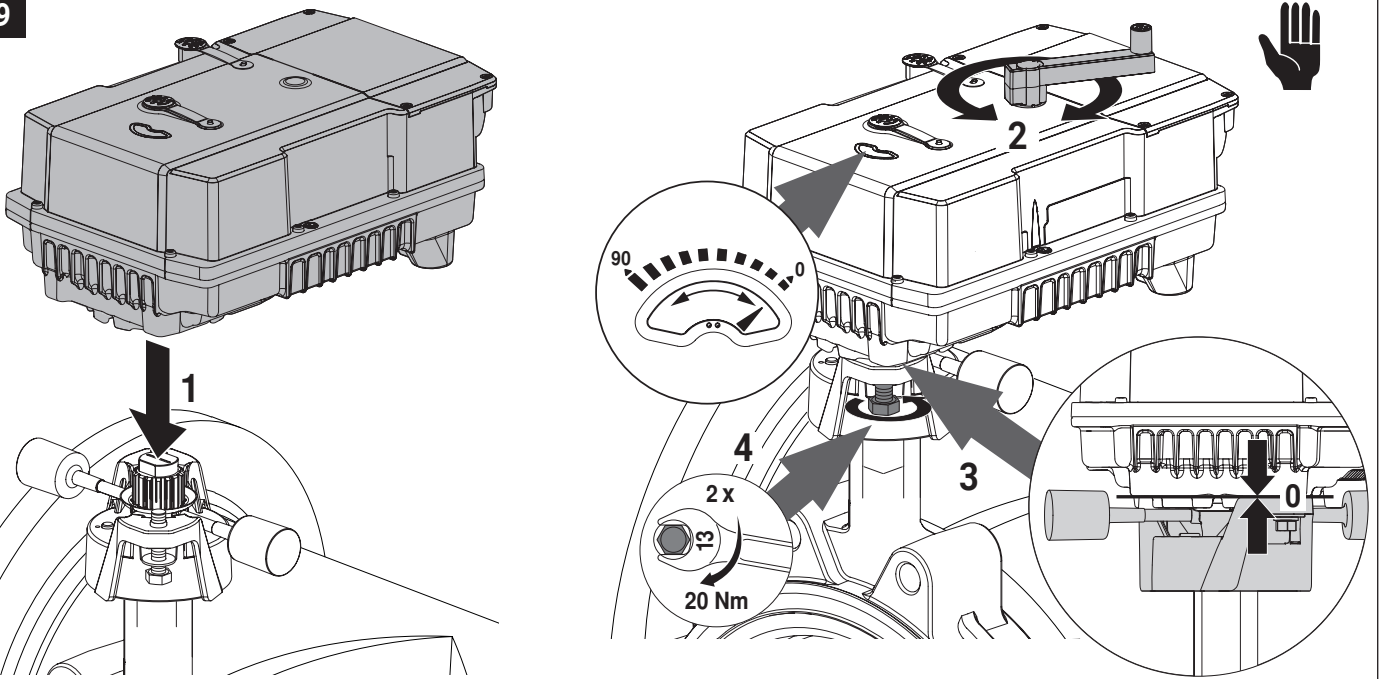
7



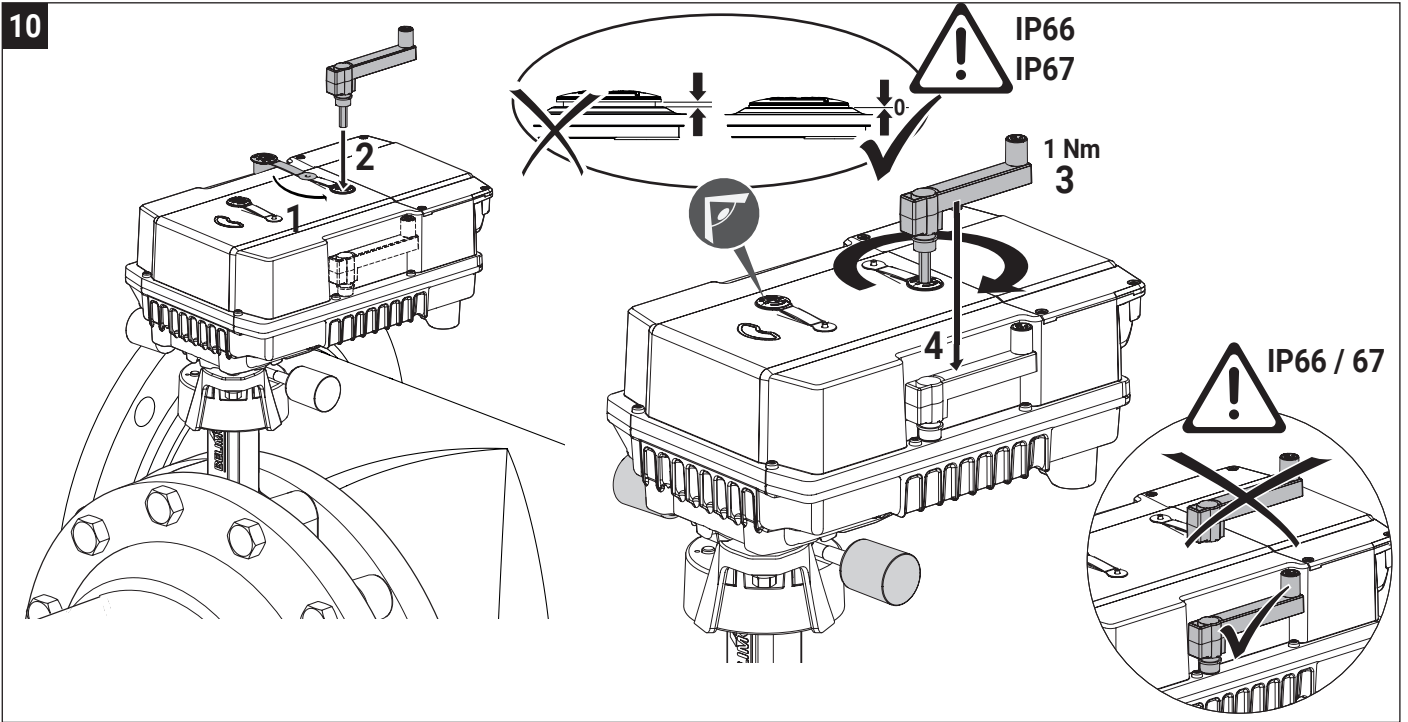
8



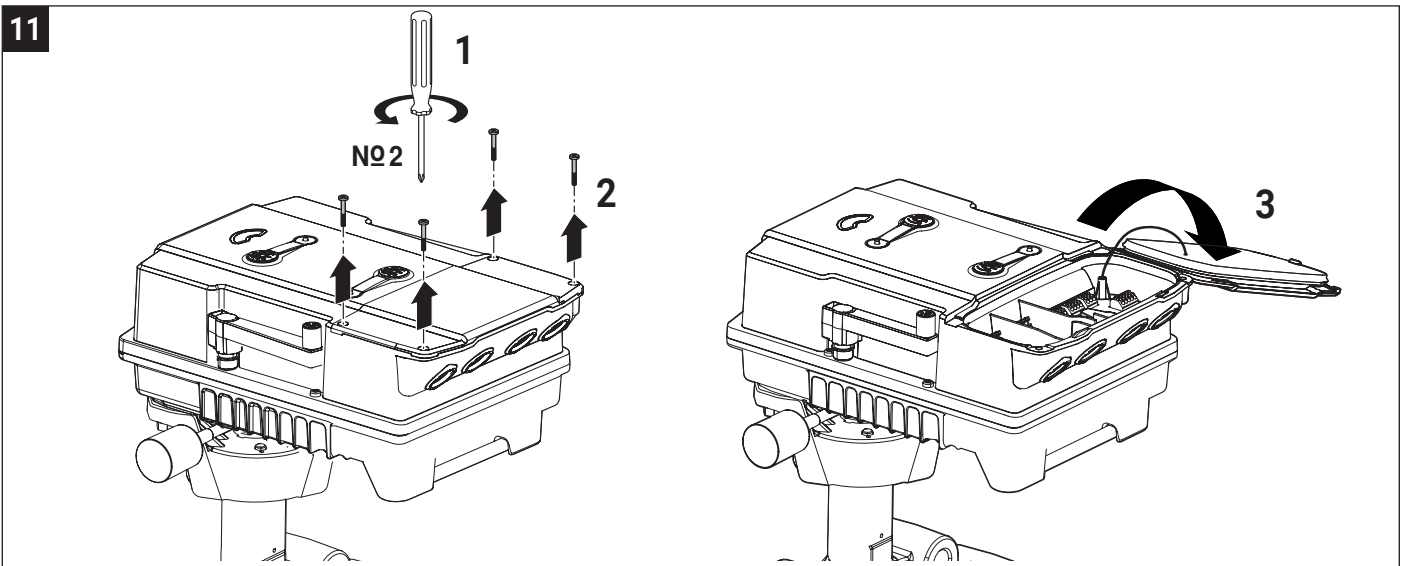
9



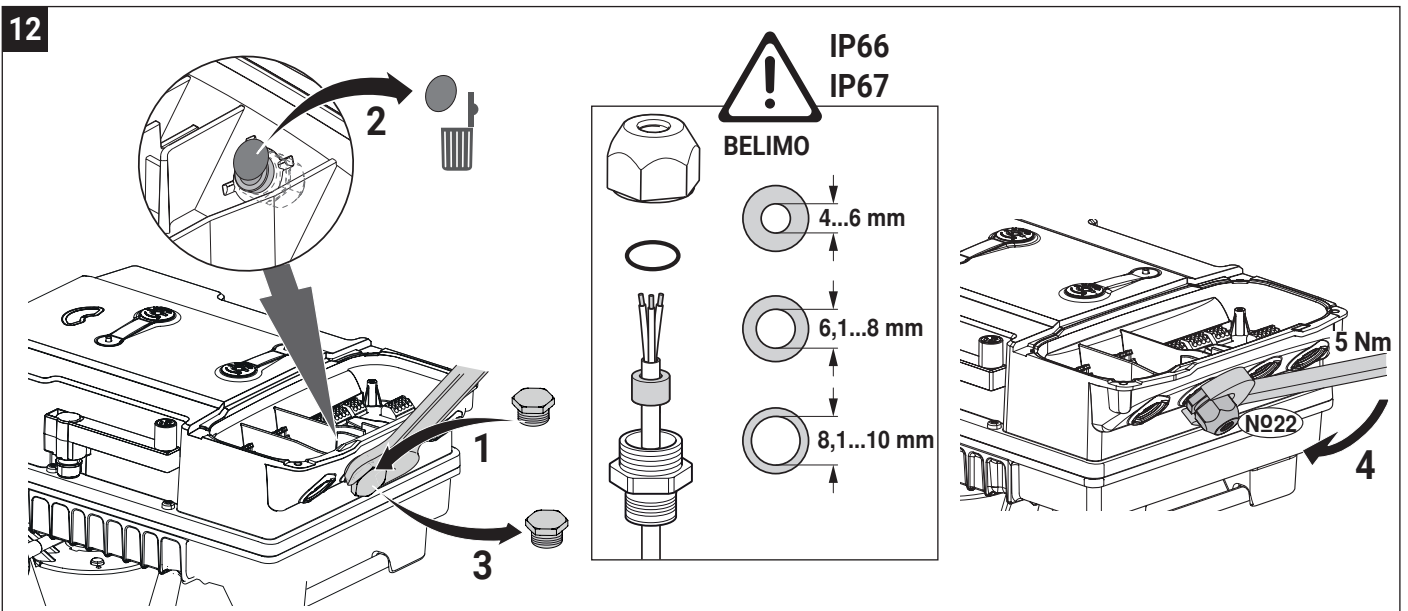
10



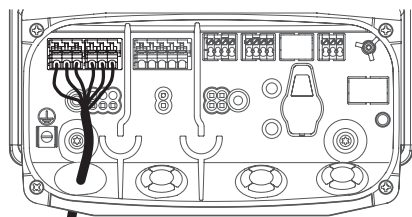
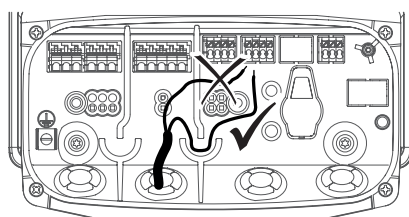
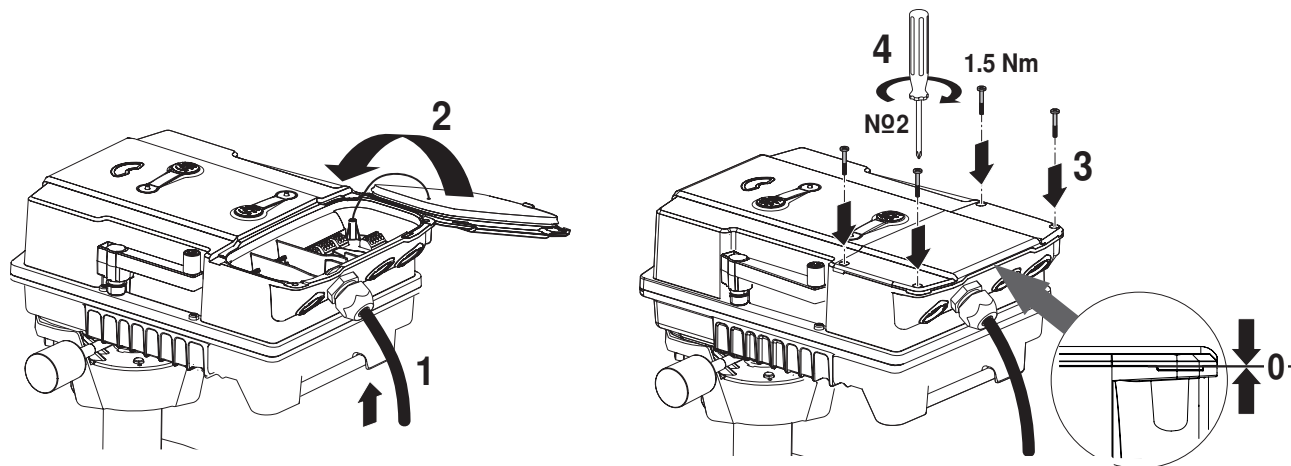
11



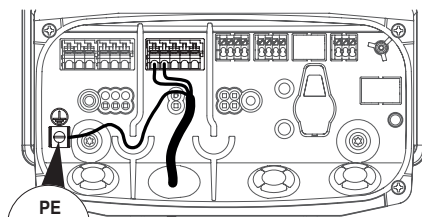
12



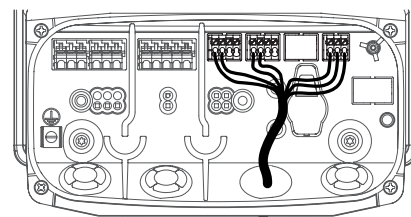
13



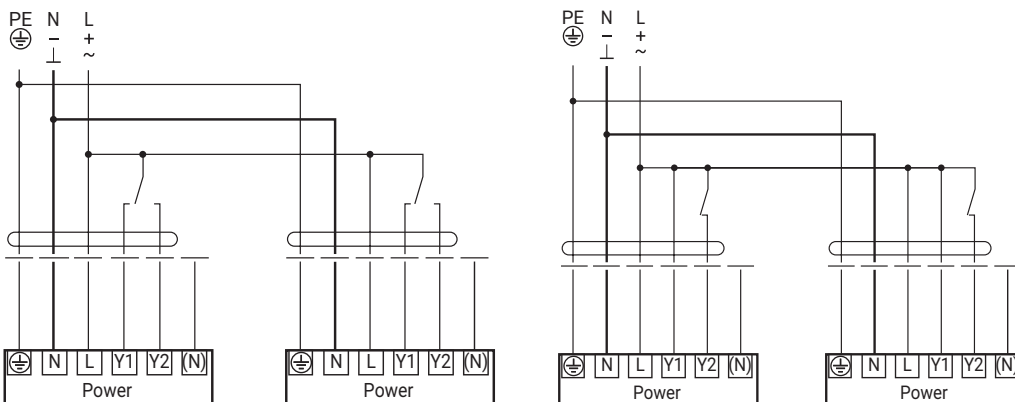
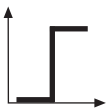
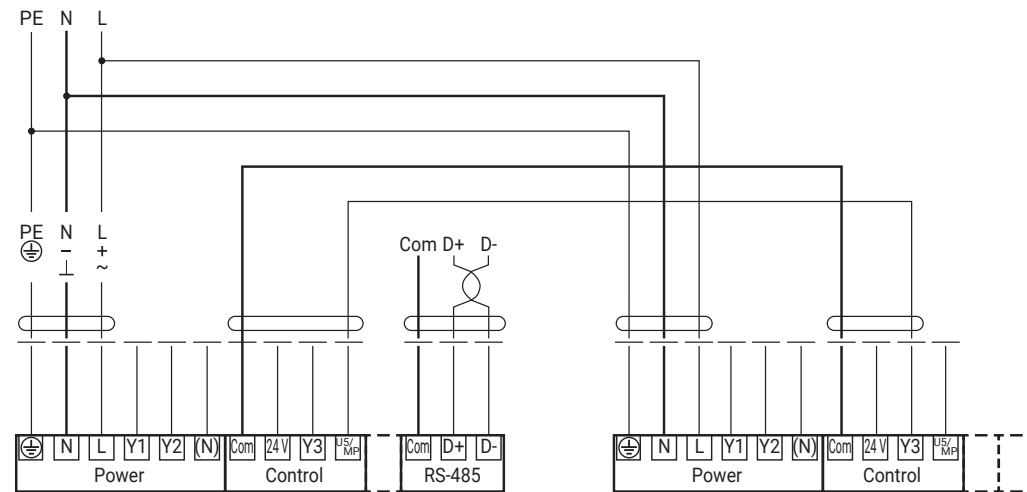
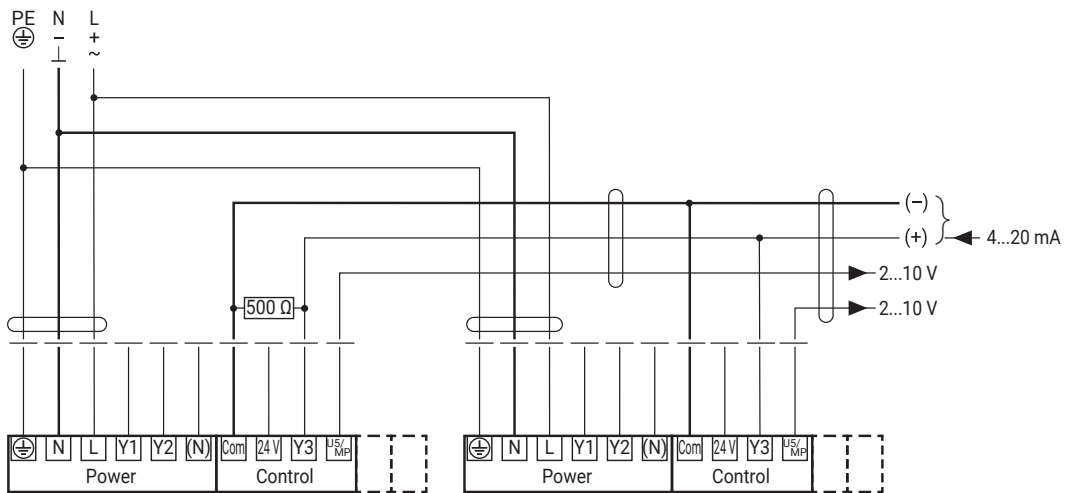
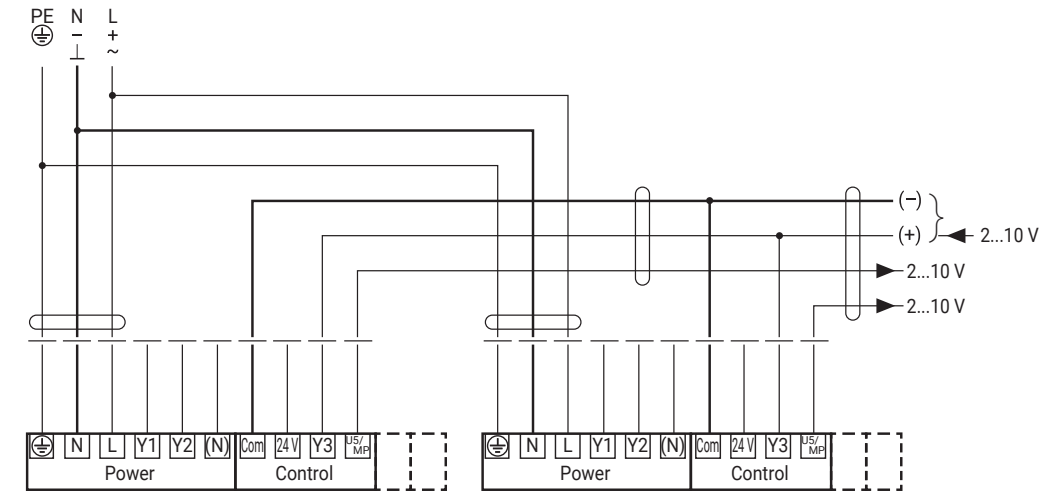
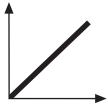
Aux.Sw.





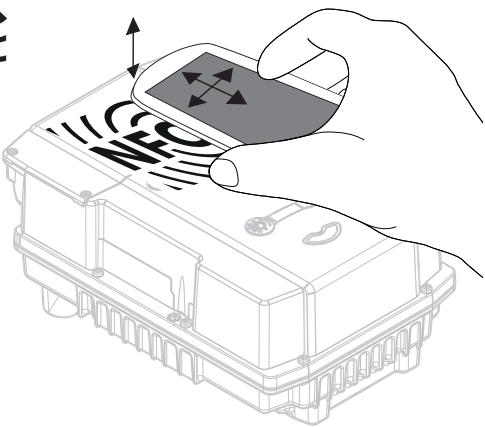


Power




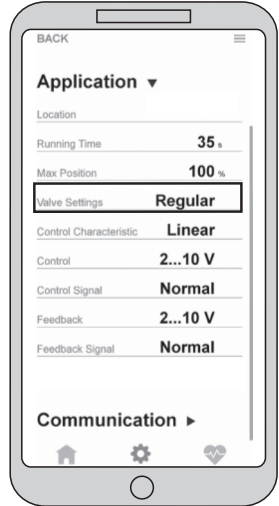
Sensor, Signal, BACnet




i

i

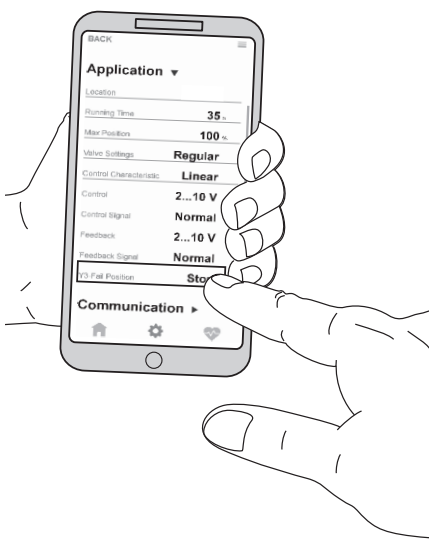
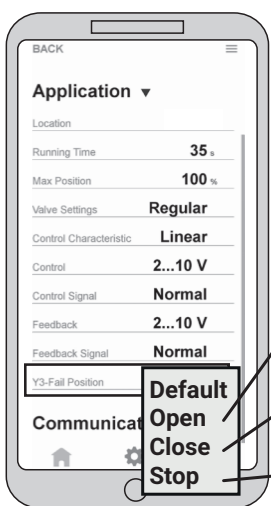



Regular	DN 80...150 D6300W(L) Retrofit
DN 200/8"	D6200W(L)
DN 250/10"	D6250W(L)



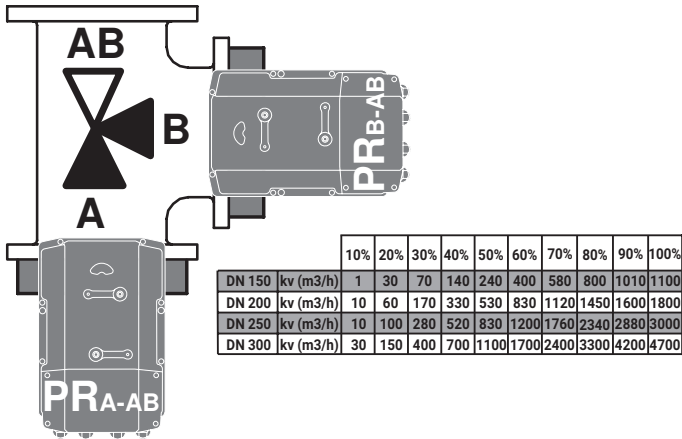
**max. flow velocity
4 m/s**

i

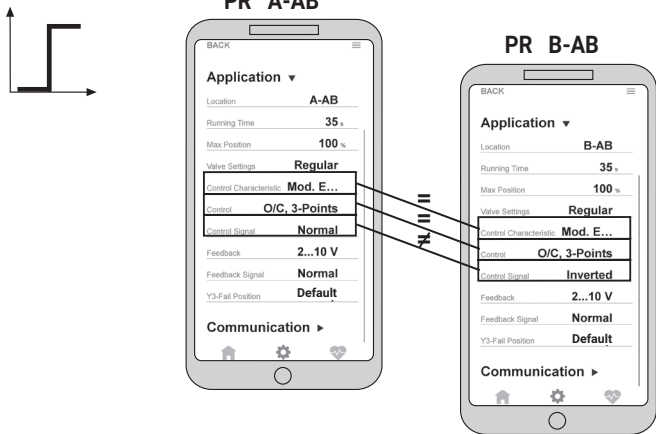



Y3-Fail Position	Control Signal Normal	Control Signal Inverted
A-AB Default		
A-AB 100 %		
A-AB 0 %		
A-AB STOP		

max. flow velocity
4 m/s



D7..L/BAC



D7..L/BAC

