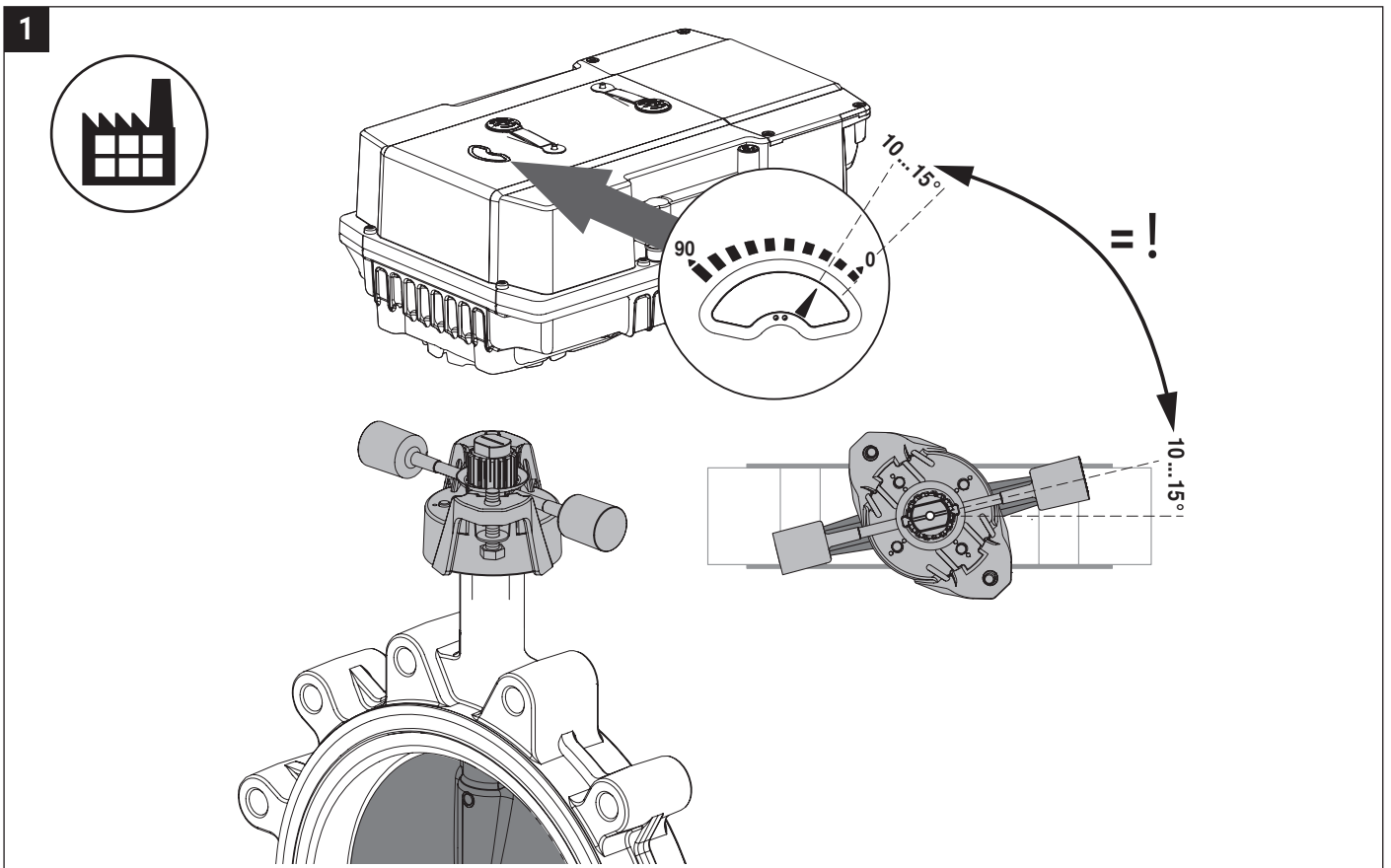
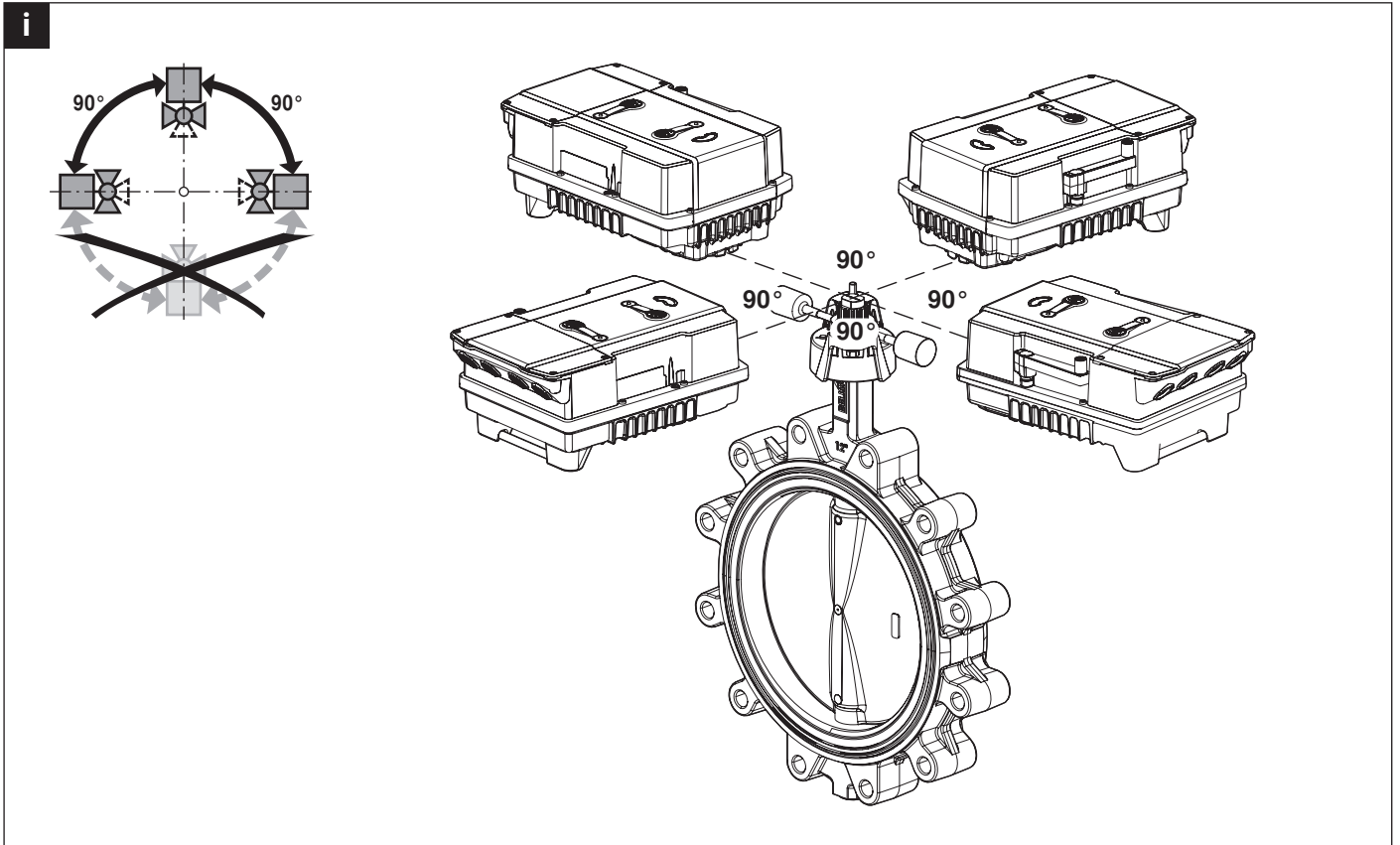


70991-00001.C

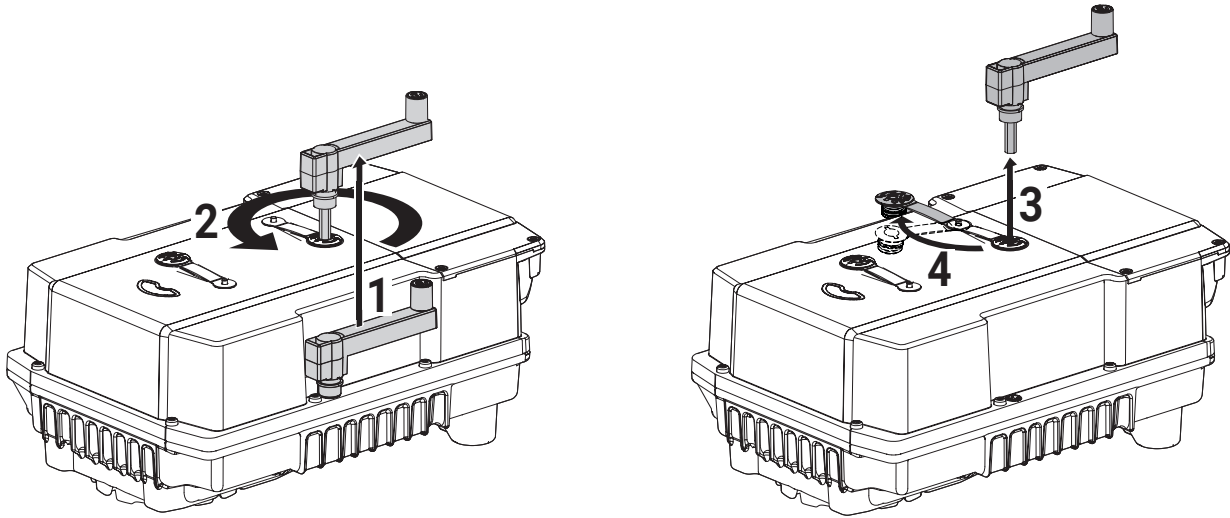


Video: IP66/67 with Belimo PR(K) actuator

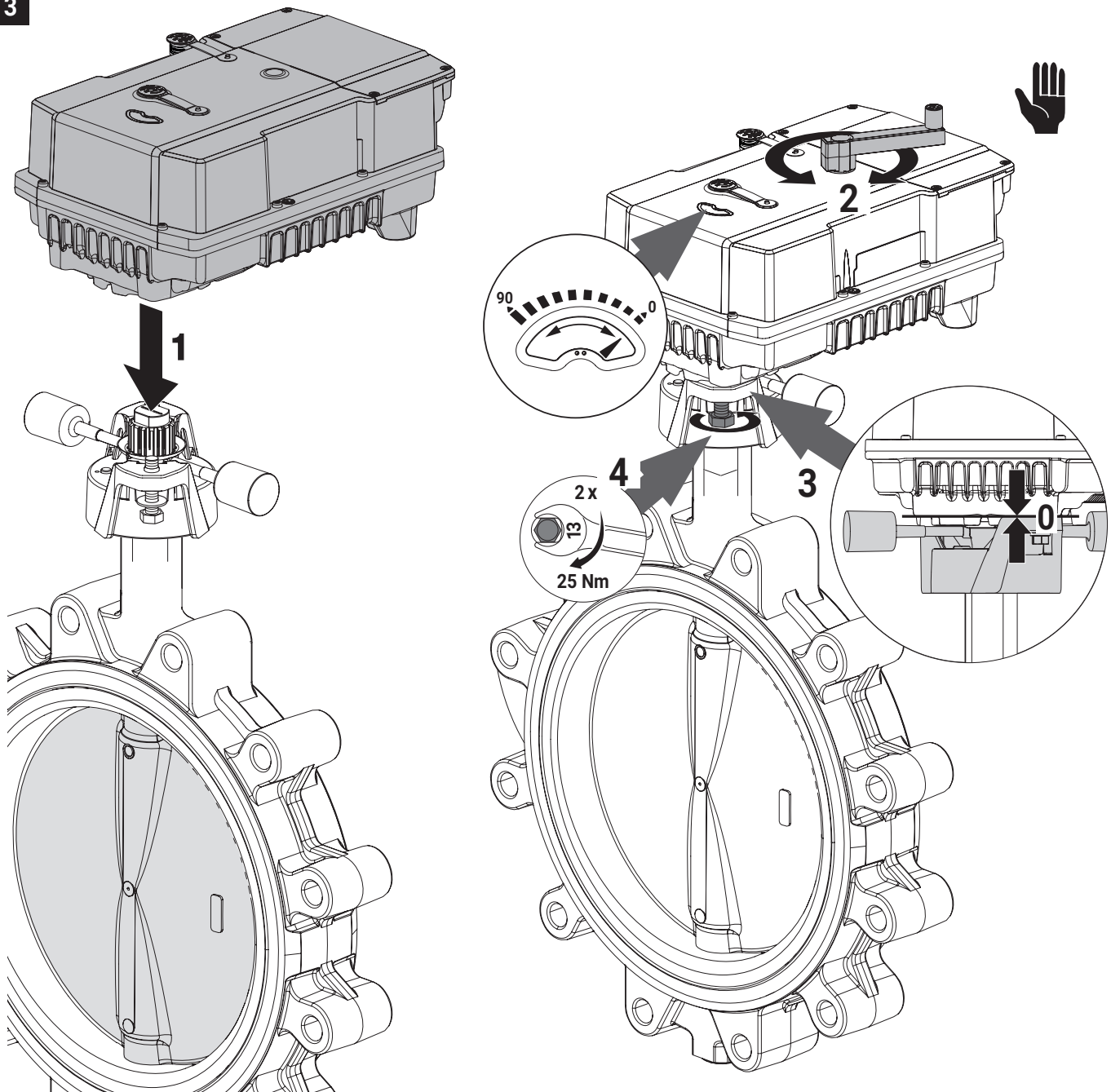
www.belimo.eu/safety

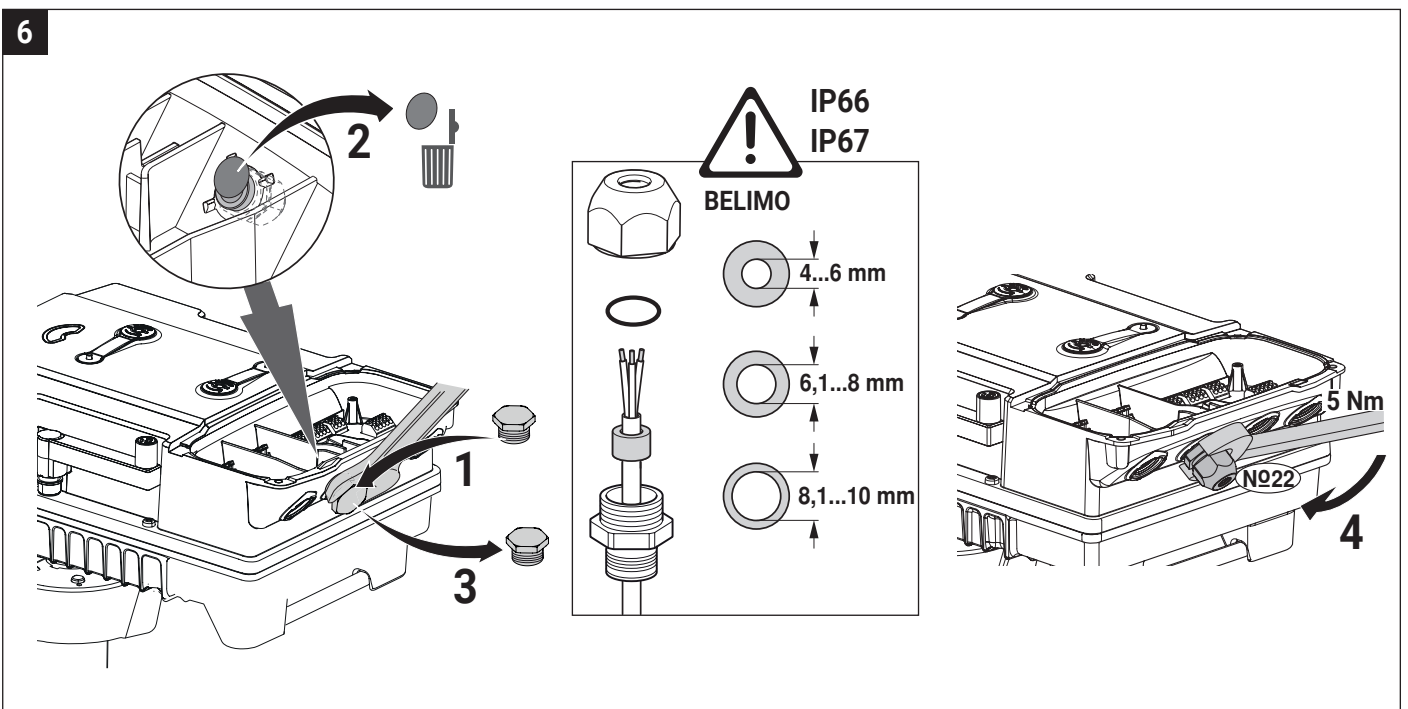
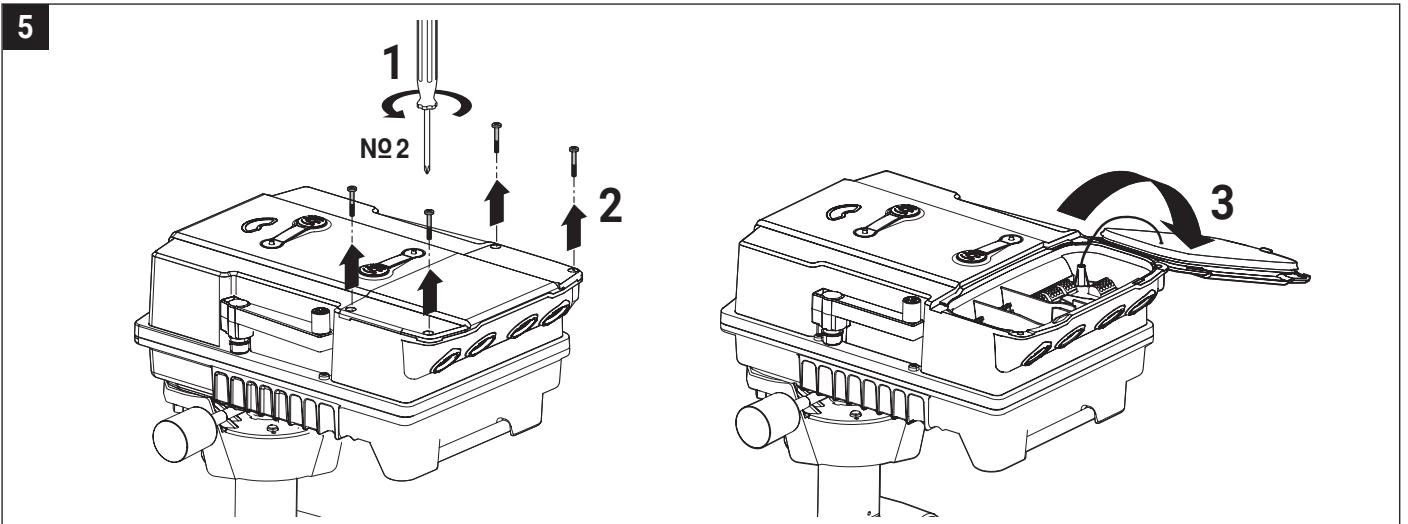
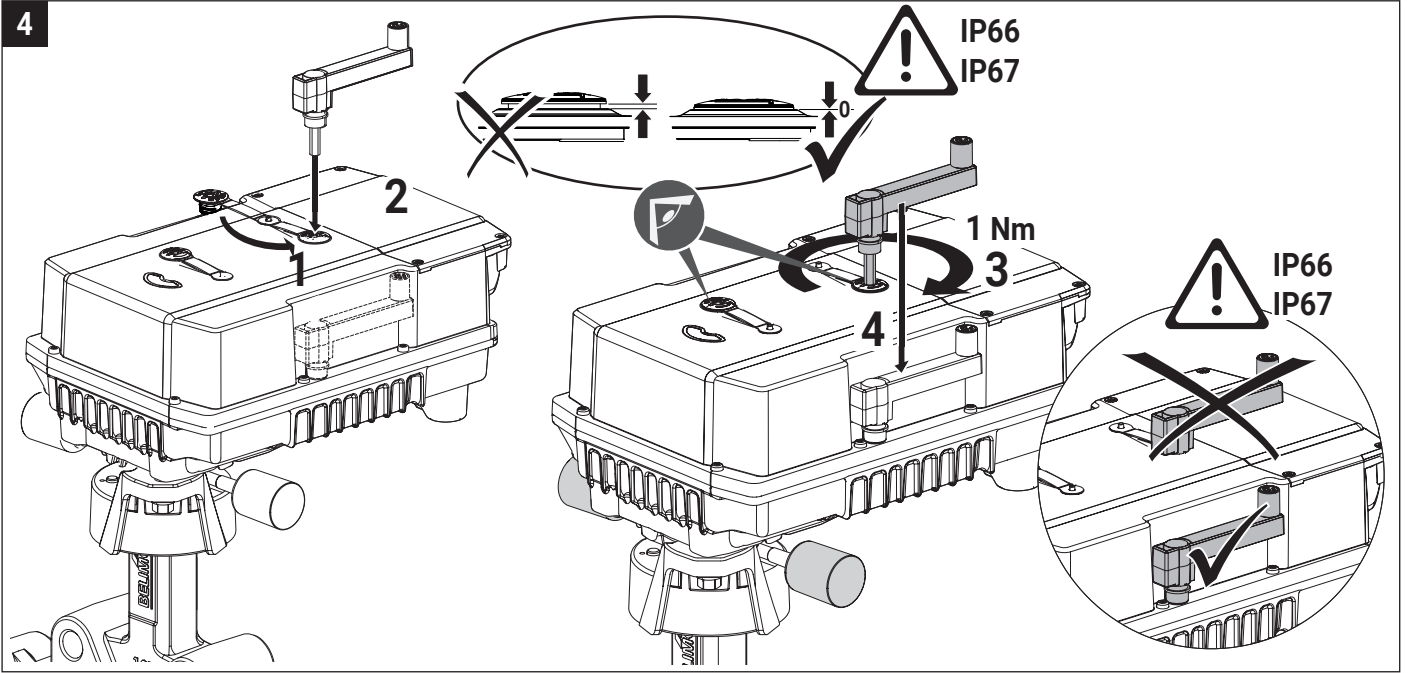


2

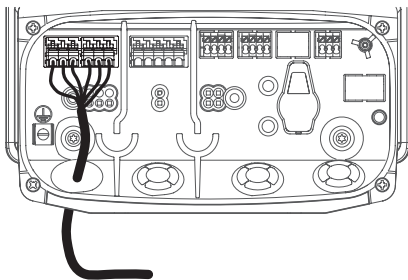
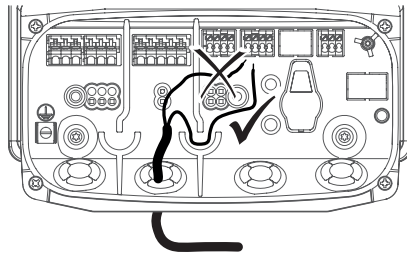
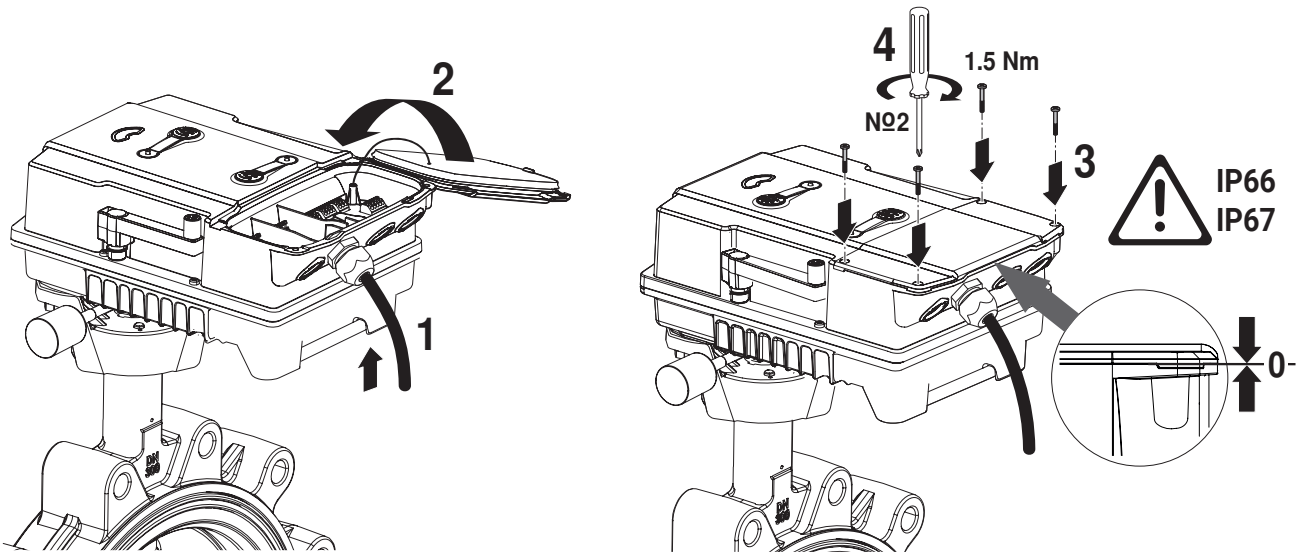


3

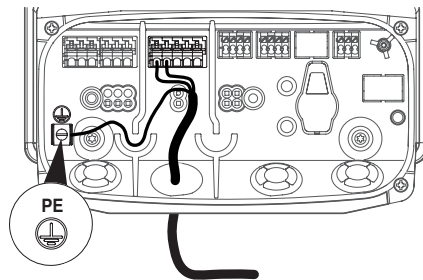




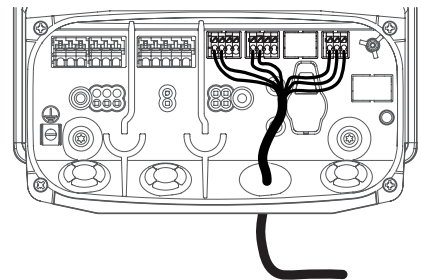
7



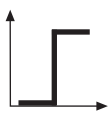
Aux.Sw.



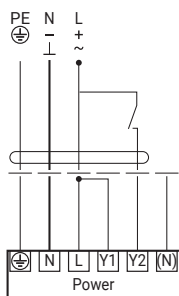
Power



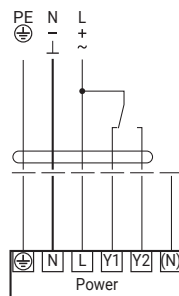
Sensor, Signal, BACnet



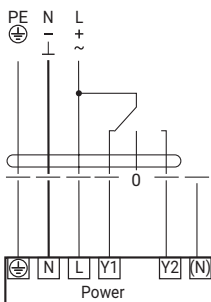
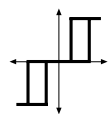
AC 24...240 V ⚠
DC 24...125 V



PRCA-S2-T
PR(K)CA-BAC-S2-T



AC 24...240 V ⚠
DC 24...125 V

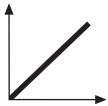
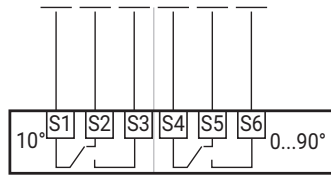


PRCA-S2-T
PR(K)CA-BAC-S2-T

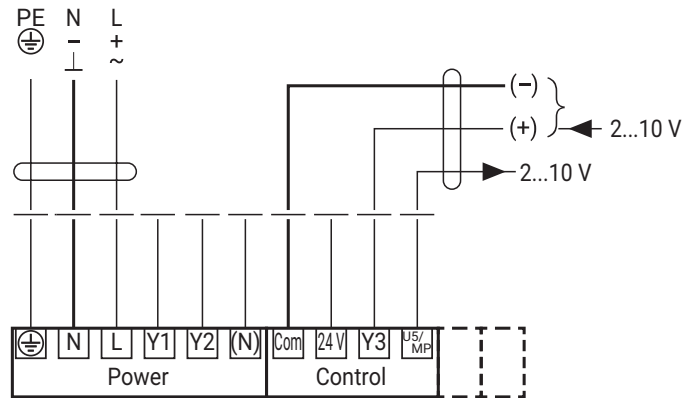
Connection auxiliary switch

230 V + 230 V ✓
24 V + 24 V ✓

~~230 V + 24 V~~
~~24 V + 230 V~~

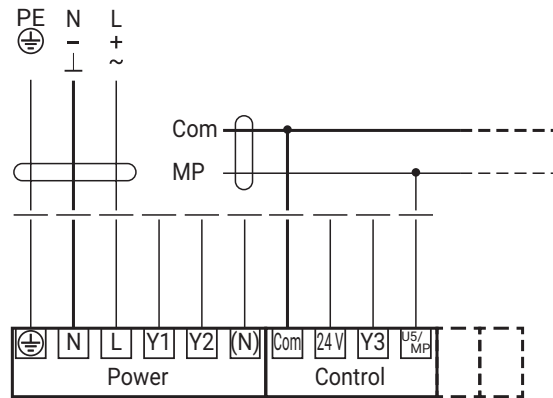


AC 24...240 V
DC 24...125 V

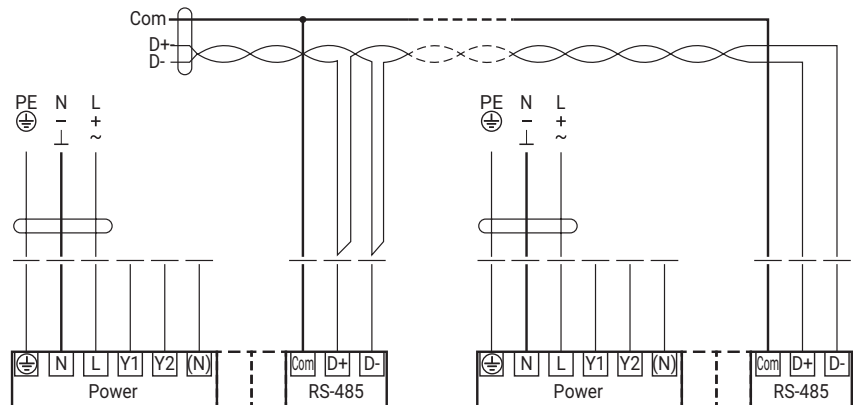


PR(K)CA-BAC-S2-T

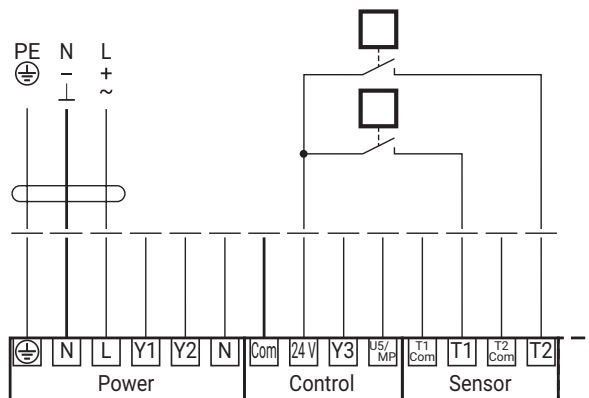
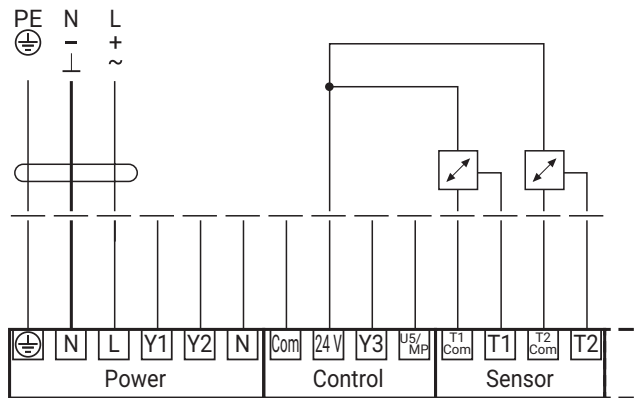
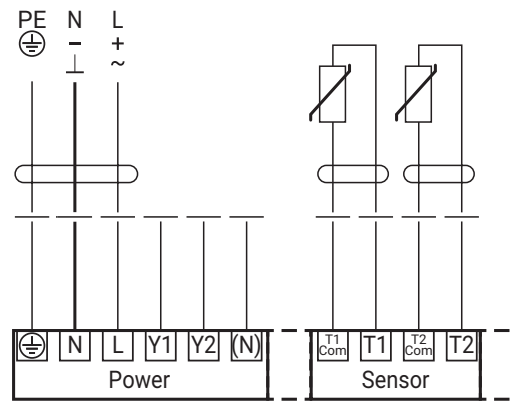
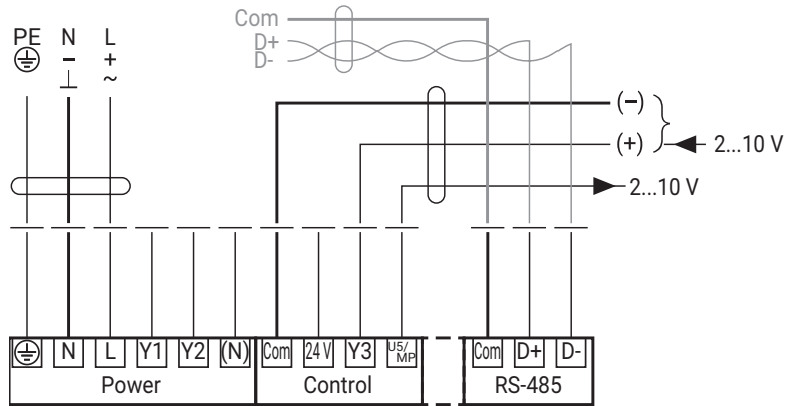
MP-Bus

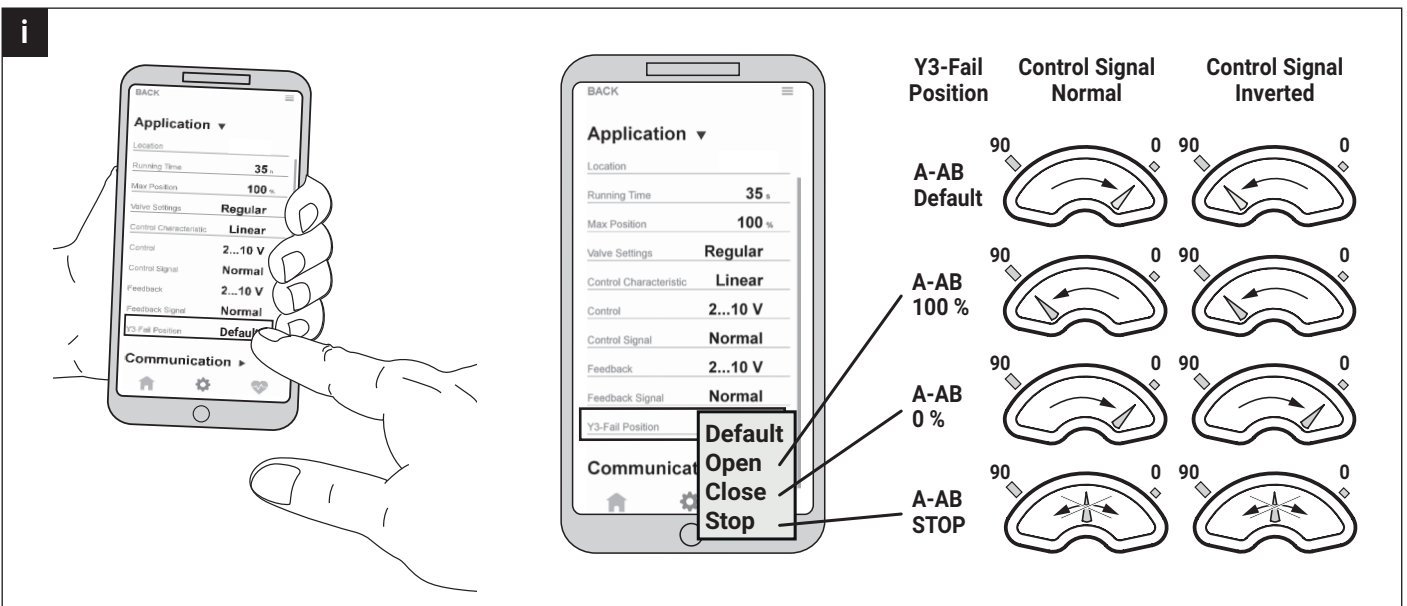
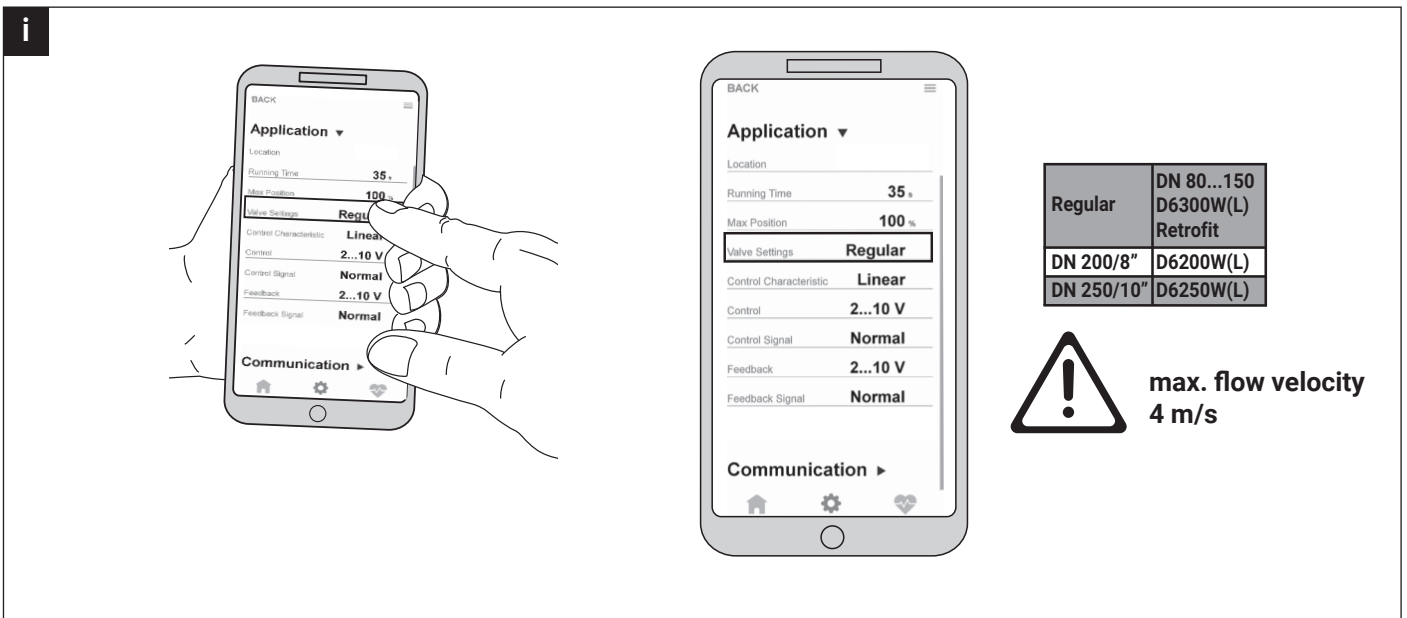
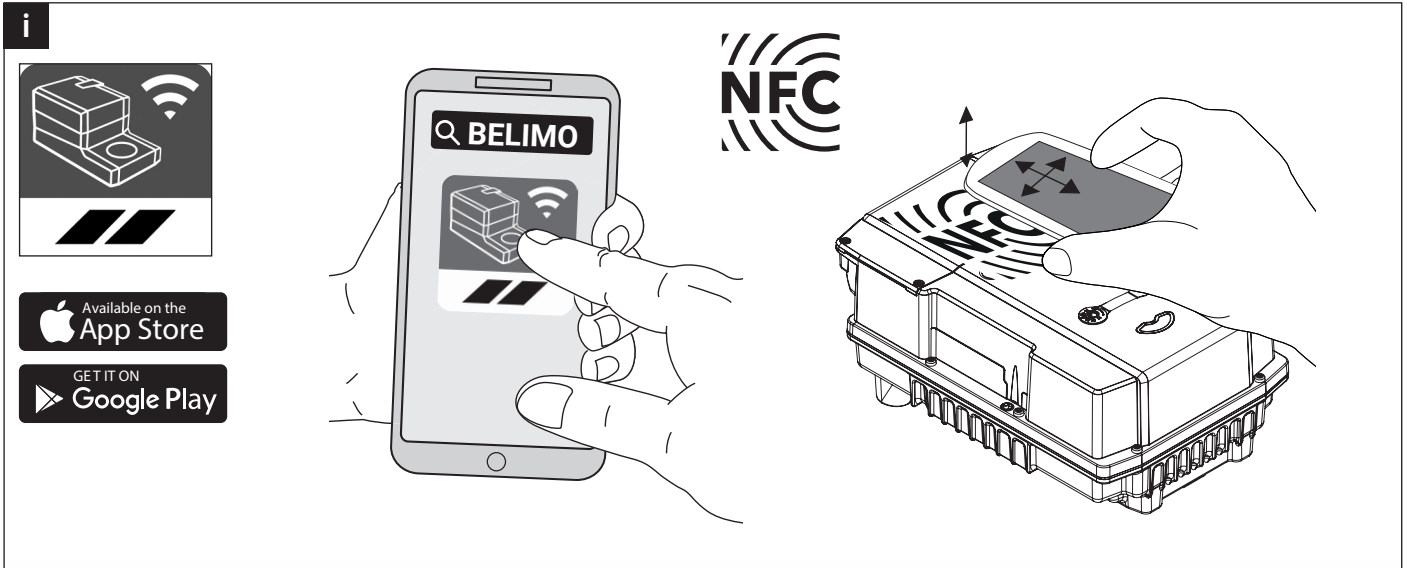


BACnet MS/TP / Modbus RTU



BACnet MS/TP / Modbus RTU / analog





**max. flow velocity
4 m/s**

	10%	20%	30%	40%	50%	60%	70%	80%	90%	100%
DN 200 kv (m3/h)	10	60	170	330	540	820	1200	1640	2000	2200
DN 250 kv (m3/h)	10	100	280	530	850	1300	1920	2710	3580	4200
DN 300 kv (m3/h)	30	160	400	710	1130	1740	2560	3610	4790	5700

	10%	20%	30%	40%	50%	60%	70%	80%	90%	100%
DN 150 kv (m3/h)	1	30	70	140	240	400	580	800	1010	1100
DN 200 kv (m3/h)	10	60	170	330	530	830	1120	1450	1600	1800
DN 250 kv (m3/h)	10	100	280	520	830	1200	1760	2340	2880	3000
DN 300 kv (m3/h)	30	150	400	700	1100	1700	2400	3300	4200	4700

PR(K)CA-S2-T..

Configuration
A-AB
02105-00070-153-050

Setpoint

Application ▾
Location: A-AB
Running Time: 35 s
Max Position: 100 %
Valve Settings: Regular
Control Signal: Normal

D7..L/BAC

PR A-AB

Application ▾
Location: A-AB
Running Time: 35 s
Max Position: 100 %
Valve Settings: Regular
Control Characteristic: Mod. E...
Control: O/C, 3-Points
Control Signal: Normal
Feedback: 2...10 V
Feedback Signal: Normal
Y3-Fail Position: Default

PR B-AB

Application ▾
Location: B-AB
Running Time: 35 s
Max Position: 100 %
Valve Settings: Regular
Control Characteristic: Mod. E...
Control: O/C, 3-Points
Control Signal: Inverted
Feedback: 2...10 V
Feedback Signal: Normal
Y3-Fail Position: Default

PR(K)CA-BAC-S2-T..

Application ▾
Location: A-AB
Running Time: 35 s
Max Position: 60 %
Valve Settings: Regular
Control Characteristic: Mod. Equal Percentage
Control: Linear
Control Signal: Normal
Feedback: 2...10 V
Feedback Signal: Normal
Y3-Fail Position: Default

Mod. Equal Percentage
max. 33...60 %

Linear
max. 33...100 %

D7..L/BAC

PR A-AB

Application ▾
Location: A-AB
Running Time: 35 s
Max Position: 60 %
Valve Settings: Regular
Control Characteristic: Linear
Control: 2...10 V
Control Signal: Normal
Feedback: 2...10 V
Feedback Signal: Normal
Y3-Fail Position: Default

PR B-AB

Application ▾
Location: B-AB
Running Time: 35 s
Max Position: 60 %
Valve Settings: Regular
Control Characteristic: Linear
Control: 2...10 V
Control Signal: Inverted
Feedback: 2...10 V
Feedback Signal: Normal
Y3-Fail Position: Default