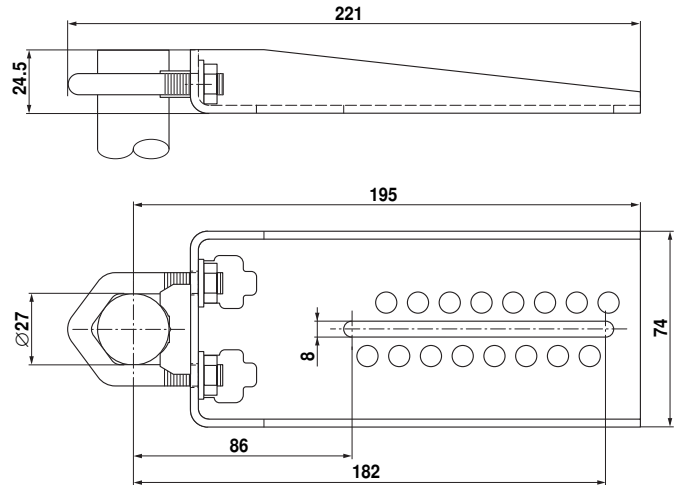
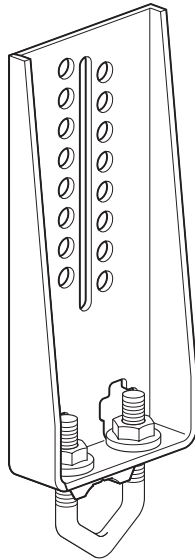


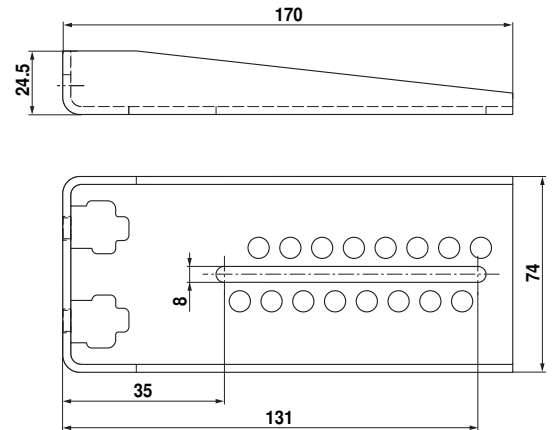
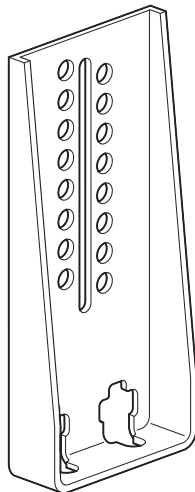
**Damper crank arm KH10**

- For damper spindles
- Galvanized steel
- Clamping range  $\varnothing$  14 ... 26 mm
- Slot width 8 mm

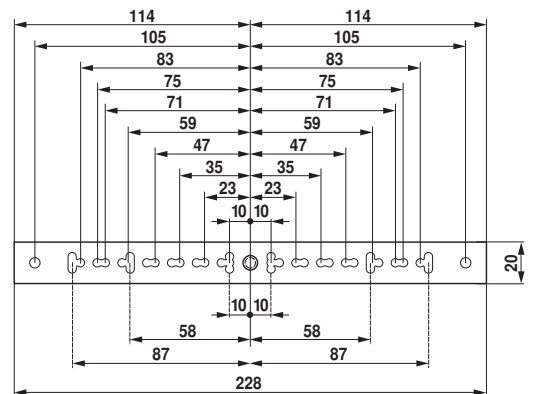
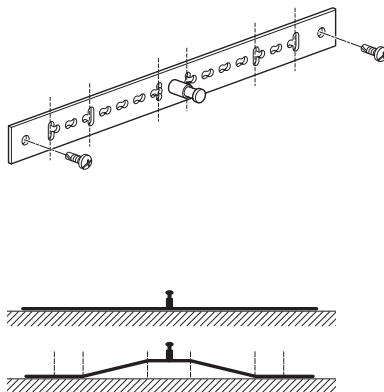


**Actuator crank arm AH-GMA**

- For reversible spindle clamp K-SA
- Slot width 8 mm
- Galvanized steel



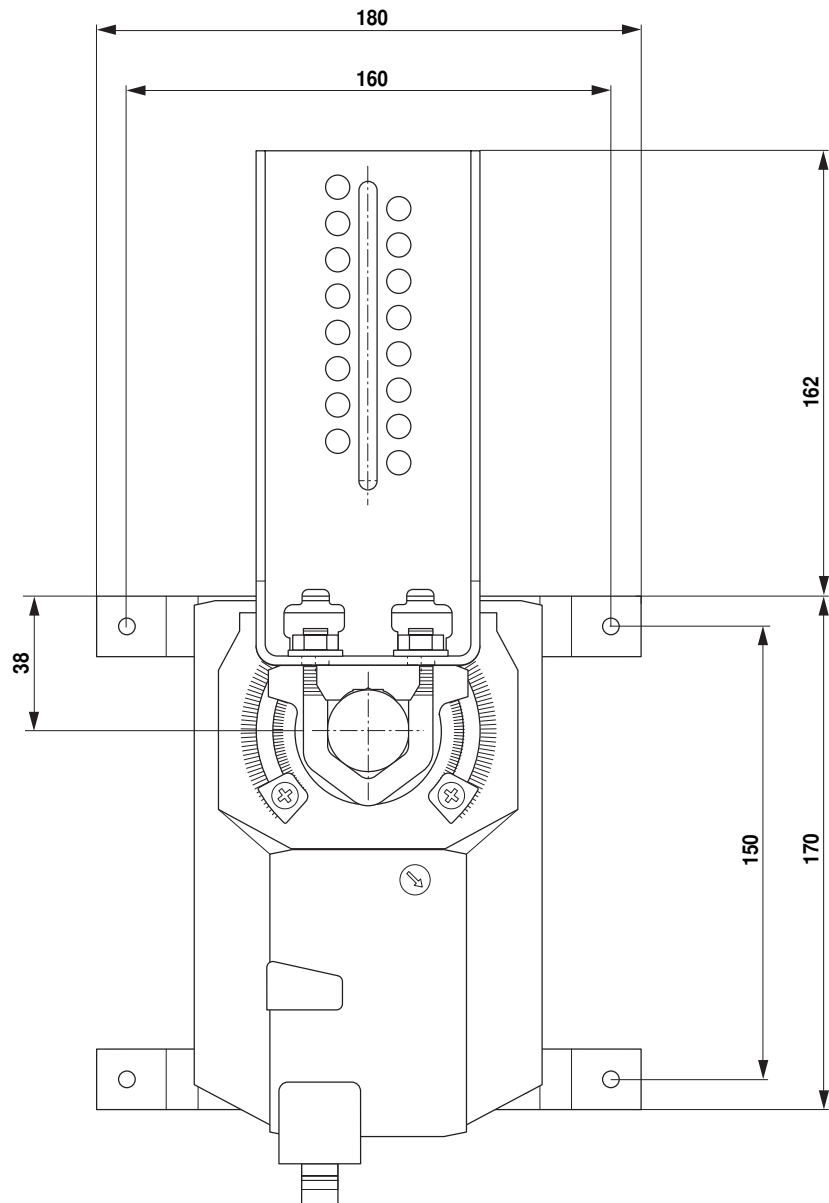
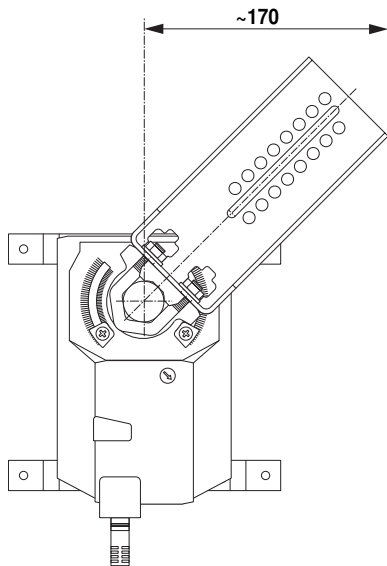
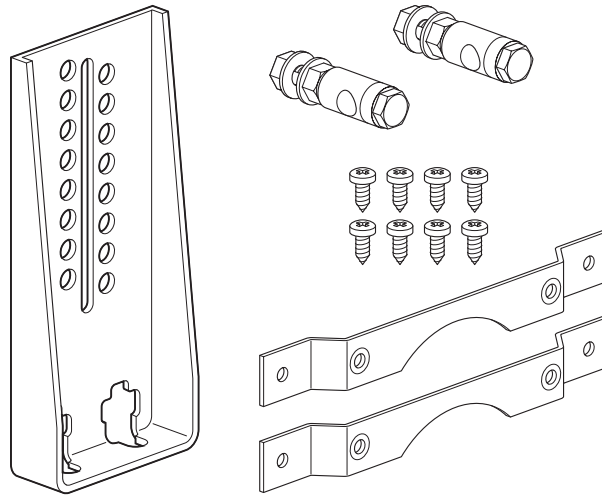
**Anti-rotation strap Z-ARS230**



Packaging unit: 20 pieces

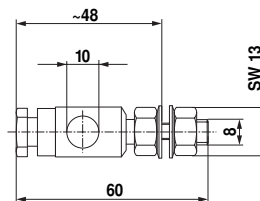
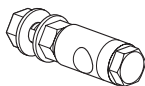
**Mounting kit for damper linkage ZG-GMA**

- For flat mounting



**Ball joint KG10A**

- Suitable for KH8 damper crank arms
- For round steel rod with  $\varnothing$  10 mm
- Galvanized steel



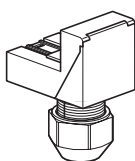
**Position indication Z-PI**



Packaging unit: 20 pieces

**Terminal protection Z-TP**

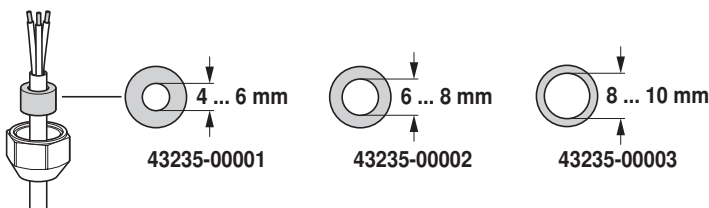
- Protection IP54 for actuators with terminals



Packaging unit: 20 pieces

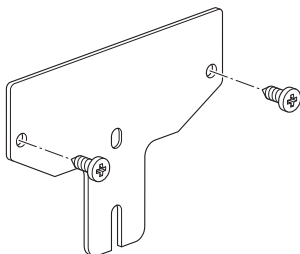
**Cable sealings for Z-TP**

Article number	$\varnothing$
• 43235-00001	4 ... 6 mm
• 43235-00002	6 ... 8 mm
• 43235-00003	8 ... 10 mm



**Extension for ground plate Z-GMA**

- Extension from GM.. to GM..A..
- Galvanized steel



Packaging unit: 20 pieces

