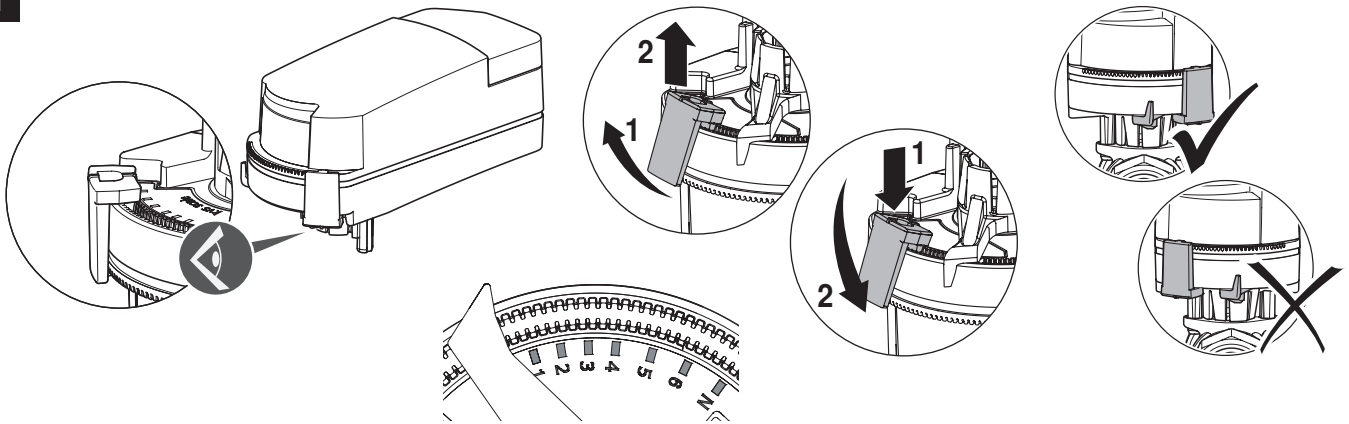


71733-00001.D

!

| | L1 [mm] |
|-------------|---------|
| C215QP(T)-B | 13.2 |
| C215QP(T)-D | 13.2 |
| C220QP(T)-F | 14.5 |

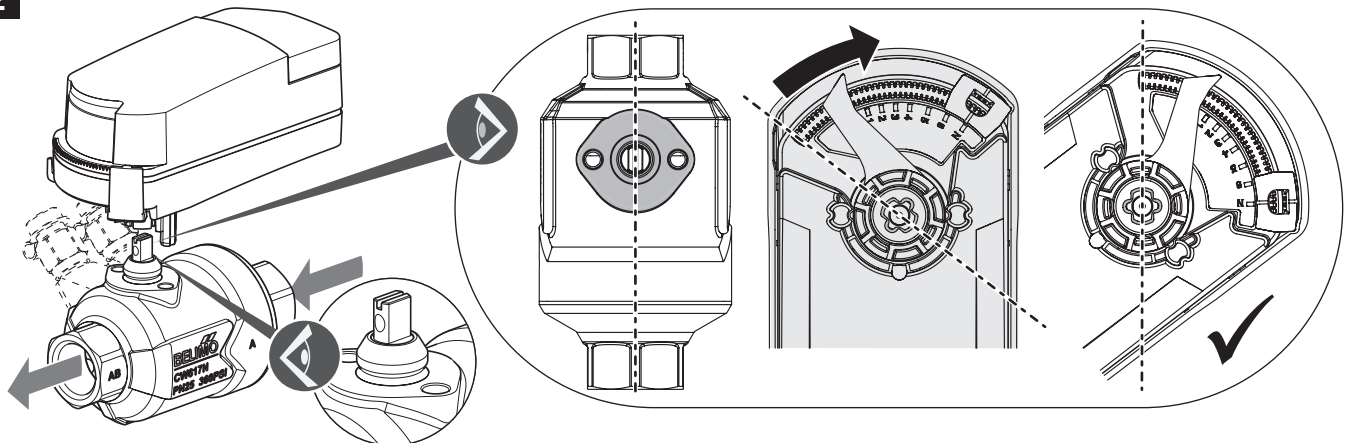
1



| Pos | 1 | 2 | 3 | 3+ | 4- | 4 | 4+ | 5- | 5 | 5+ | 6- | 6 | 6+ | N- | N | | |
|-------------|-----------------------|-------|-------|-------|-------|-------|-------|-------|-------|-------|-------|-------|-------|-------|-------|-------|-------|
| C215QP(T)-B | \dot{V}_{max} (l/h) | 20 | 30 | 40 | 45 | 50 | 60 | 70 | 80 | 90 | 105 | 120 | 135 | 150 | 165 | 180 | 210 |
| | \dot{V}_{max} (l/s) | 0.006 | 0.008 | 0.011 | 0.013 | 0.014 | 0.017 | 0.019 | 0.022 | 0.025 | 0.029 | 0.033 | 0.038 | 0.042 | 0.046 | 0.050 | 0.058 |
| C215QP(T)-D | \dot{V}_{max} (l/h) | 50 | 70 | 100 | 110 | 130 | 150 | 170 | 190 | 210 | 240 | 270 | 300 | 330 | 360 | 400 | 420 |
| | \dot{V}_{max} (l/s) | 0.014 | 0.019 | 0.028 | 0.031 | 0.036 | 0.042 | 0.047 | 0.053 | 0.058 | 0.067 | 0.075 | 0.083 | 0.092 | 0.100 | 0.111 | 0.117 |
| C220QP(T)-F | \dot{V}_{max} (l/h) | 90 | 130 | 190 | 220 | 250 | 290 | 340 | 390 | 440 | 500 | 570 | 630 | 700 | 760 | 820 | 980 |
| | \dot{V}_{max} (l/s) | 0.025 | 0.036 | 0.053 | 0.061 | 0.069 | 0.081 | 0.094 | 0.108 | 0.122 | 0.139 | 0.158 | 0.175 | 0.194 | 0.211 | 0.228 | 0.272 |



2



3

